



JOHNSON PUMP
AN SPX BRAND

CombiWell

Sump pump for paint spraying cabins
and solvent degreaser units

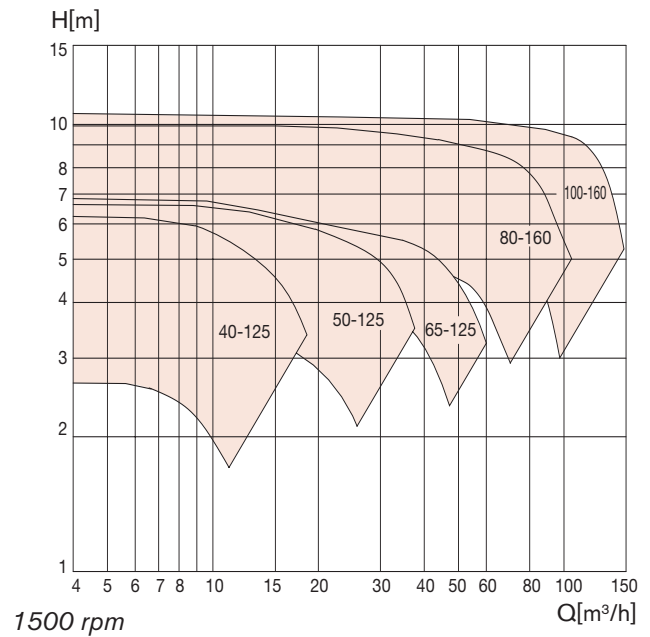


CE

SPX[®]

The best solution to do it well.

The CombiWell is a range of specialised immersion pumps, used in water curtain paint spray booths and solvents degreasing spray units.



Typical characteristics

- No shaft sealing
- Liquid lubricated slide bearing
- Compact and modular design
- High degree of interchangeability between parts of different pump sizes

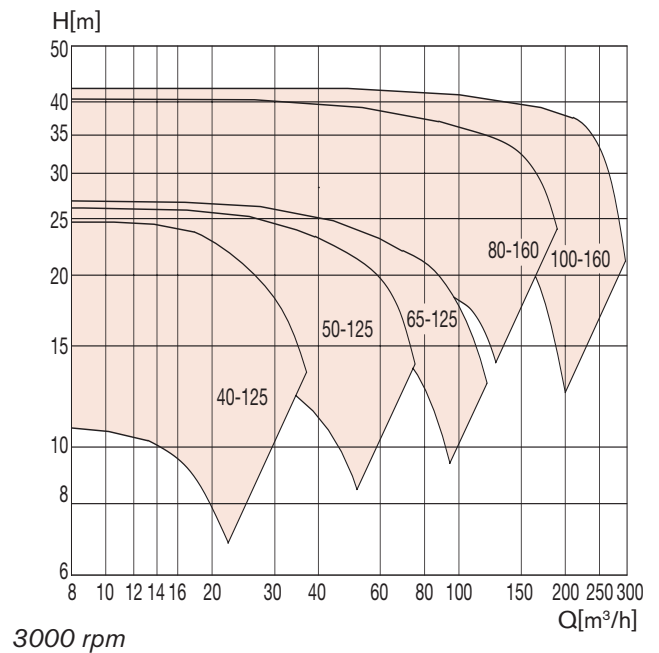


Photo courtesy: Glasbeek finish b.v.

- Water curtain paint spray booths
- Solvents degreasing spray units

Features and *benefits*

Lantern piece

- cast iron
- reducing flanges applied at motor side
- *rigid construction*
- *fits a wide range of electric motors*

Ball bearing

- located in lantern piece
- grease lubricated
- *easily replaceable*
- *low maintenance costs*

Pump casing

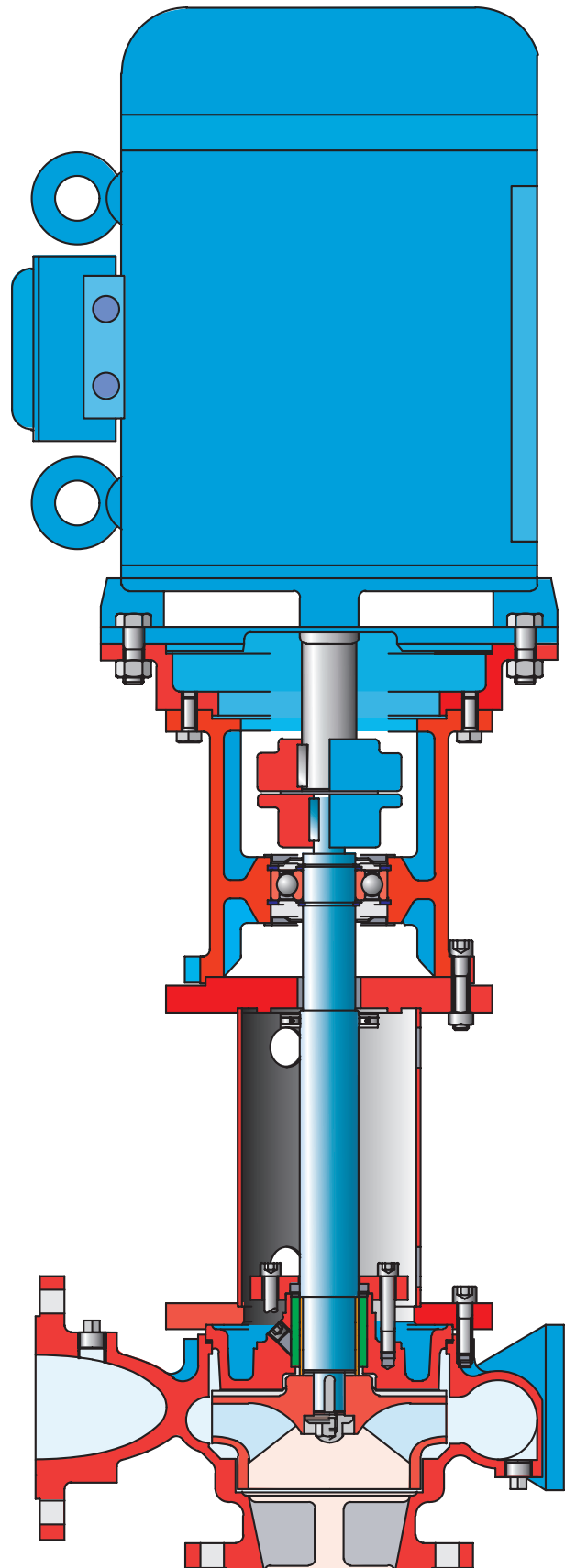
- permanently submerged into the liquid
- stainless steel for street cleaning version
- cast iron for paint spray version
- *always ready for action*
- *corrosion resistant*
- *cost effective materials*

Slide bearing

- located in pump cover
- shaft sleeve on shaft
- different type of bearing materials
- *lubricated by the liquid*
- *low maintenance costs*

Impeller

- stainless steel for street cleaning version
- cast iron for paint spray version
- fitted with extra large clearance between impeller and pump casing
- *corrosion resistant*
- *cost effective materials*
- *easily replaceable*





Your local contact:



SPX Process Equipment NL B.V.
Dr A.F. Philipsweg 51, P.O. Box 9
NL-9400 AA Assen, NETHERLANDS
Phone: +31 (0)592 37 67 67. Fax: +31 (0)592 37 67 60
E-Mail: jp-industry.nl@processequipment.spx.com

For more information about our worldwide locations, approvals, certifications, and local representatives, please visit www.johnson-pump.com and www.spxpe.com.

SPX reserves the right to incorporate our latest design and material changes without notice or obligation. Design features, materials of construction and dimensional data, as described in this bulletin, are provided for your information only and should not be relied upon unless confirmed in writing.