

NOVAPLEX Vector

PROCESS DIAPHRAGM PUMPS





SPXFLOW

SPX FLOW, Inc. (NYSE:FLOW) is a leading manufacturer of innovative flow technologies, many of which help define the industry standard in the market segments they serve. From its headquarters in Charlotte, North Carolina, it operates a sales and support network, centers of manufacturing excellence, and advanced engineering facilities, throughout the world. Its cutting-edge flow components and process equipment portfolio includes a wide range of pumps, valves, heat exchangers, mixers, homogenizers, separators, filters, UHT, and drying technology that meet many application needs. Its expert engineering capability also makes it a premium supplier of customized solutions and complete, turn-key packages to meet the most exacting of installation demands.

Incorporating many leading brands, SPX FLOW has a long history of serving the food and beverage, power and energy, and industrial market sectors. Its designs and engineered solutions help customers drive efficiency and productivity, increase quality and reliability, and meet the latest regulatory demands. In-depth understanding of applications and processes, state-of-the-art Innovation Centers, and advanced pilot/testing technology further assist in optimizing processes and reducing timescales to reliably meet production targets.

To learn more about SPX FLOW capabilities, its latest technology innovations and complete service offerings, please visit www.spxflow.com.

FOR MORE THAN 80 YEARS, SPX FLOW'S BRAN+LUEBBE BRAND HAS BEEN PROVIDING CUSTOMERS WITH HIGH QUALITY METERING, PROCESSING AND ANALYSING EQUIPMENT.

As part of the global SPX FLOW, Inc. , we are one of the world's most reputable manufacturers of metering and process pumps, process systems as well as analyzing technologies. Our engineers have comprehensive process and applications knowledge across a wide range of markets. This has resulted in product innovations and developments which harness the latest technology whilst meeting the highest quality standards.

> Bran+Luebbe®

NOVAPLEX Vector

The Process Diaphragm Pump NOVAPLEX Vector combines a unique new gearbox design with well-proven diaphragm pumphead technology and is ideally suited for applications in the oil&gas industry (onshore, offshore) as well in the chemical industry, offering a number of benefits, such as:

- Light weight
- Small footprint
- Easy maintenance due to reduced number of parts
- Less downtime
- Lower operation costs

PERFORMANCE DATA

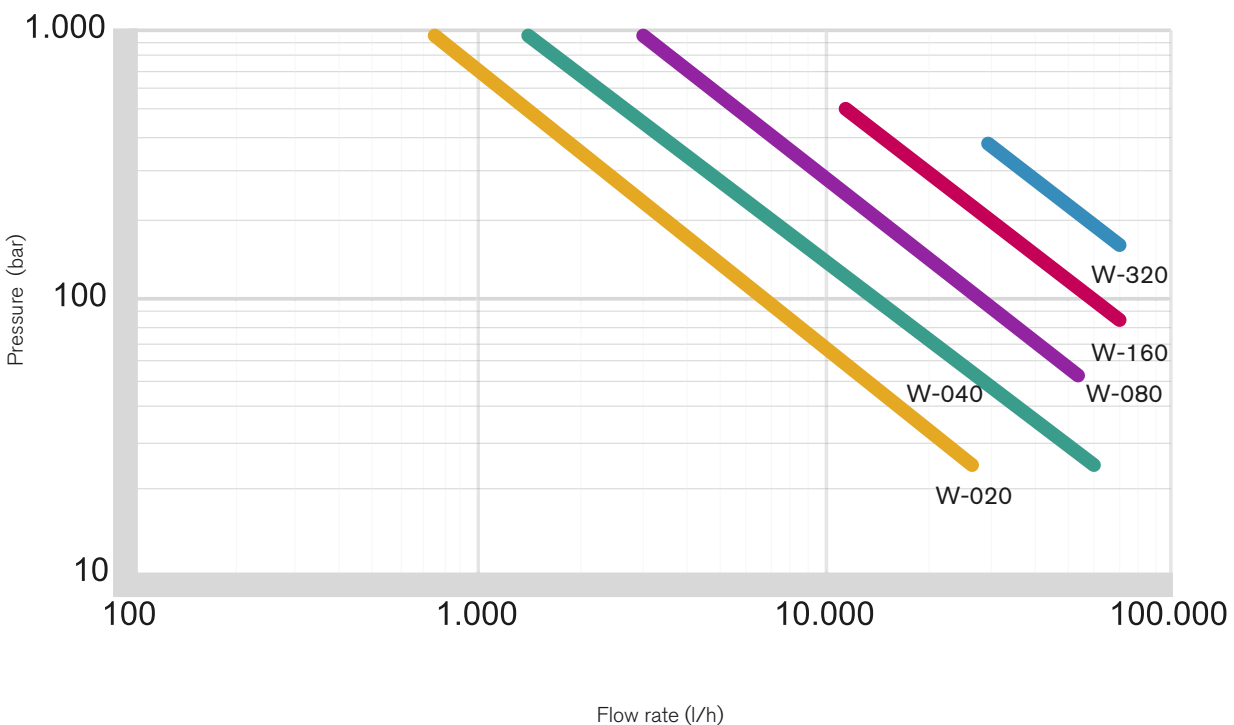
- **Volume / capacity:** 0.1 - 70 m³ / hr*
- **Pressure:** up to 400 bar (PTFE)
up to 1000 bar (Metal)
- **Fluid temperature range:** -40 °C to +150 °C
(special solutions upon request)
- **Ambient temperature range:** -40 °C to +60 °C
(special solutions upon request)
- **Hazardous area:** up to Zone 1 IIC T4
(Zone 22 upon request)
- **Adjustable capacity (VFD)**

* Flow rate at 100% volumetric efficiency.

ADDITIONAL FEATURES

- Diaphragm position control for maximum operating security
- Safe dry-run capabilities
- High volumetric efficiency
- Hermetically sealed by two diaphragm layers
- Diaphragm condition monitoring
- NOVALINK-CSM 2 Diagnosis interface as standard

PERFORMANCE CHART



TYPICAL MARKETS WITH APPLICATIONS

▪ Oil & Gas

- Methanol Injection
- Polymer Injection (**E**nhanced **O**il **R**ecovery)
- Hydrocarbon transfer
- and many more

▪ Chemical Processing Industry

- Reactor Feed
- and many more

▪ Mining

- Autoclave feed

FLUIDS PUMPED (EXAMPLES)

- Ammonia
- Liquified CO₂
- Hydrocarbon Condensate
- Methanol, Glycol, Biocides
- LPG (Liquified Petroleum Gas)
- Polymer
- Propionic Acid
- Raney Nickel suspensions
- Vinyl Chloride Monomer
- Vinyl Acetate Copolymer

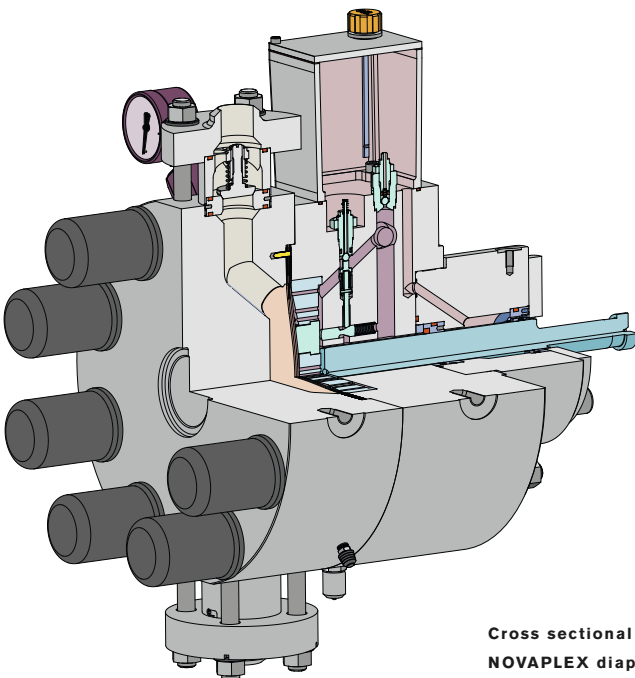


COMPACT GEAR DESIGN

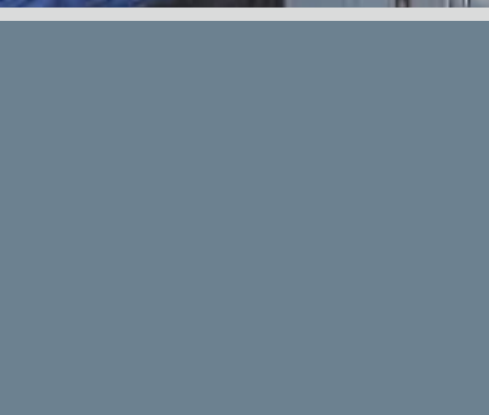
- Small footprint
- Reduced weight
- Reduced maintenance effort

ESTABLISHED PUMPHEAD TECHNOLOGY

- A pressure relief valve within the hydraulic system of the pumphead protects the pumphead itself as well as the pump gear from overload due to excessive pressure.
- Increased diaphragm life compared to non-positive control systems
- Diaphragm protection even under critical operating conditions
- Dry running capabilities
- Double-diaphragm pumps with diaphragm condition monitoring offer higher operation security than single diaphragm pumpheads.



Cross sectional drawing of a
NOVAPLEX diaphragm pumphead



Our Service at a Glance



Start up

Regardless of location, on request our SPX FLOW technicians will assist with the installation and professional commissioning of your plant on site and ensure optimum adaptation of our pumps and systems to your production and processing environment. We ensure the full operational capability of our pumps and systems from the start.



Repair

Our experienced service team are available to carry out repairs using the original spare parts from the manufacturer.



Maintenance / Maintenance Contracts

The regular performance of maintenance work by qualified SPX FLOW technicians gives you the assurance of maximum availability of your systems. For this reason we offer maintenance contracts tailored to your needs. We support our products for the entire lifetime of the pump, including all major inspection and maintenance tasks - possible sources of errors are detected and eliminated at an early stage, so that production stops are largely avoided. Your advantage: As a maintenance customer you will enjoy priority in all service issues and receive a discount on spare parts.



Upgrades

We offer customisation of your pump through a conversion, in response to changes in production and process requirements. By using improved designs and new materials, we can optimise the pump performance and increase reliability. This will give you a reasonable alternative to the purchase of a new pump.





Diagnostic - Online / Offline / Remote

With our NOVALINK-CSM 2 system (Continuous Status Monitoring), we provide you with permanent or temporary fault analyses so that you avoid unplanned downtime through early detection of faults.

Advantages:

- Improved pump availability
- Planning of maintenance
- Optimization of production processes



Customer Support / Hotline

Consultation and support are important to us. As a customer you are our number one priority. We can support you if you have diagnostic error messages and assist you in the selection of spare parts. When determining maintenance intervals you can count on SPX FLOW to help.



Spare Parts

By exclusively using original spare parts of consistent high quality, we offer the security of your pump functioning accurately. A high availability of original spare parts in stock gives us the opportunity to supply many spare parts within 24 hours.



Training

Our training courses are practical and tailored to your needs and provide detailed knowledge about function, design and repair of our pumps and systems. Our training courses are intended for users, technicians or engineers.





NOVAPLEX Classic



NOVAPLEX Integral

Alternatively to the NOVAPLEX Vector pumps the NOVAPLEX Classic with externally mounted gear reducer, enabling an extended number of pumpheads and the NOVAPLEX Integral with integrated gear reducer for minimized foot print are available for special projects.

Global Locations

EMEA

SPX FLOW TECHNOLOGY

Werkstraße 4
D-22844 Norderstedt
Germany
Phone: +49 (0) 40 - 522 02 -0
E-Mail: branluebbe@spxflow.com

EMEA

SPX FLOW TECHNOLOGY

Ironstone Way
Brixworth, Northants, NN6 9UD
United Kingdom
Phone: +44 (0) 1604 880751
E-Mail: ftbrixworth.sales@spxflow.com

EMEA

SPX FLOW TECHNOLOGY

P.O. Box 299745,
Downtown Jebel Ali
The Galleries 4
Dubai, U.A.E.
Phone: +971 481 43400
E-Mail: FT.Dubai.sales@spxflow.com

AMERICAS

SPX FLOW TECHNOLOGY

611 Sugar Creek Road
Delavan, WI 53115 USA
Phone: +1 (800) 252-5200 or
+1 (262) 728-1900
E-Mail: branluebbe.americas@spxflow.com

AMERICAS

SPX FLOW TECHNOLOGY

Rua João Daprat, 231
São Bernardo do Campo
SP 09600-010 - Brazil
Phone: +55 11 2127 8278

APAC

SPX FLOW TECHNOLOGY

25 International Business Park
#03-03/12, German Centre,
Singapore 609916
Phone: +65 6568 1568
E-Mail: asia.pacific@spxflow.com

APAC

SPX FLOW TECHNOLOGY SHANGHAI OFFICE

1568 Hua Shan Road
5F Treasury Building
Changning District
Shanghai 20052 - PR China
Phone: +86 21 2208 5858
E-Mail: asia.pacific@spxflow.com

For more locations please visit: <http://branluebbe.com>

SPX FLOW reserves the right to incorporate our latest design and material changes without notice or obligations.

Design features, materials of construction and dimensional data, as described in this bulletin, are provided for your information only and should not be relied upon unless confirmed in writing. Please contact your local sales representative for product availability in your region. For more information visit www.spxflow.com.

The green "y" and "x" are trademarks of SPX FLOW, Inc.