

POWDER BAGS AND STANDS

When a single drop of fluid can make the difference in someone's health, you need smart fluid handling solutions that get the job done safely. Manufacturers worldwide rely on connector products that improve yield, cut costs and reduce time to market.

DESCRIPTION:

FlowLinX powder bags and stands are designed for powder filling, containment and discharge for the manufacturing of liquid media, buffers and other chemicals. The bag chamber design allows for maximum powder recovery and is available with a wash line for post-discharge rinsing. Made from USP Class VI components and ULDPE film, FlowLinX powder bags are available from 5kg to 50kg with either a 3" or 4" sanitary tri-clamp flange. Choose from standard sterile or non-sterile configurations or customize the bag to your requirements.

APPLICATIONS:

- ✓ Bulk/Dry Powder Media
- ✓ Buffer Media
- ✓ Intermediates
- ✓ API
- ✓ Excipients

SPECIFICATIONS:

- ☑ Manufactured in an ISO 7 Cleanroom
- ☑ ISO 9001:2015 Certified Facility
- ♥ USP <88> Class VI & Animal Component Free
- ✿ Sterile or Non-Sterile Configurations
- 🎯 3" or 4" Sanitary Flange
- ✿ Sterility Assurance Level 10^{-6} per ISO 11137



POWDER BAGS AND STANDS

BAG FILM REGULATORY OVERVIEW:

Material of Construction

ULDPE Fluid Contact Layer

Biocompatibility

USP <85>, Bacterial Endotoxin

USP <88>, Biological Reactivity Tests, Class VI, In Vivo

USP <87>, Biological Reactivity Tests, Cytotoxicity, In Vitro

ISO 10993-4, Hemolysis

ISO 10993-5, Cytotoxicity

ISO 10993-6, Implantation

ISO 10993-10, Irritation and Sensitization

ISO 10993-11, Systemic Toxicity

Physiochemical

USP <661>, Plastic Packaging Systems

EP 3.2.2.1, Plastic Containers for Aqueous Solutions for Infusion

Extractables

Per BPOG Protocol

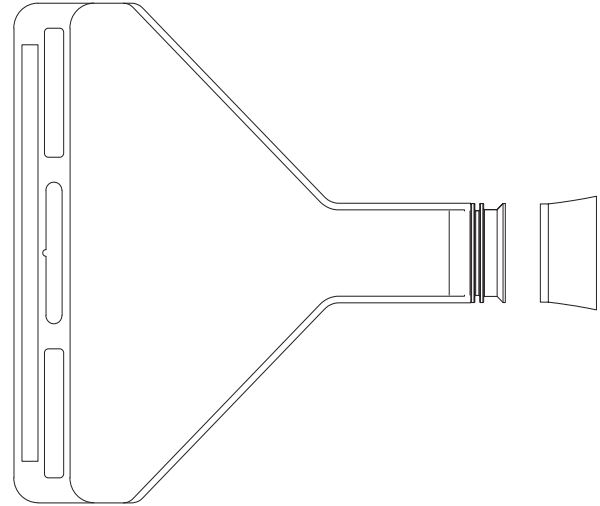


FIGURE 1 - SANITARY SEAL W/ DUST COVER

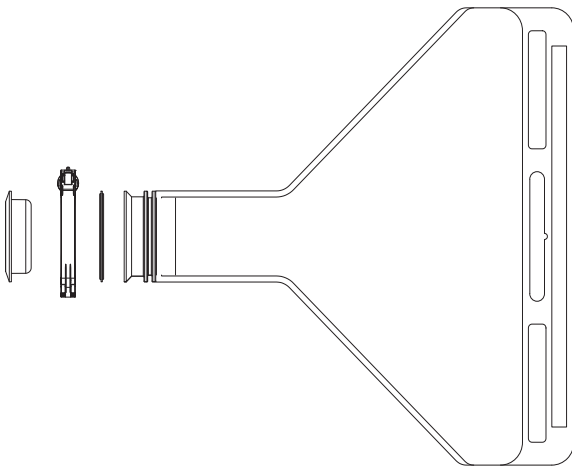


FIGURE 2 - SANITARY SEAL W/ END CAP

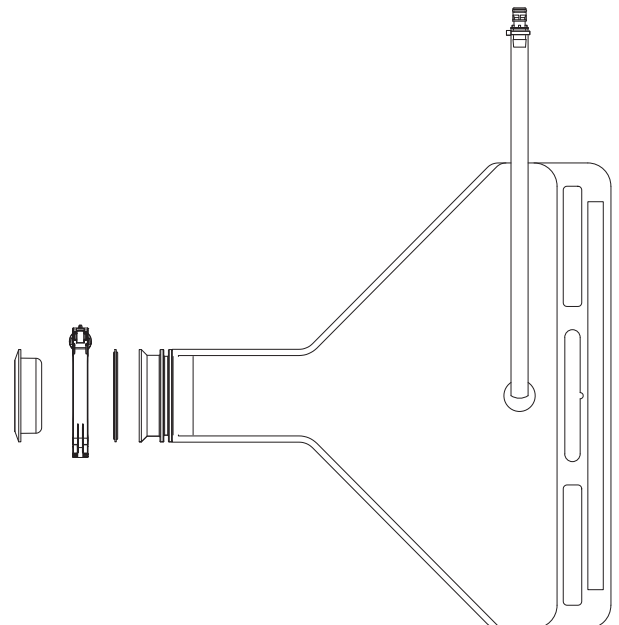


FIGURE 3 - SANITARY SEAL W/ WASH LINE

POWDER BAGS AND STANDS

ORDERING INFORMATION:

PART NUMBER	VOLUME	CONFIGURATION	STERILITY CLAIM	QTY	FIGURE
F-PB-05-3TC	5L	3" Sanitary Seal w/ Dust Cover	Non-Sterile	Each	1
F-PB-10-3TC	10L			Each	
F-PB-15-3TC	15L			Each	
F-PB-25-3TC	25L			Each	
F-PB-50-3TC	50L			Each	
F-PB-05-4TC	5L	4" Sanitary Seal w/ Dust Cover		Each	
F-PB-10-4TC	10L			Each	
F-PB-15-4TC	15L			Each	
F-PB-25-4TC	25L			Each	
F-PB-50-4TC	50L			Each	
F-PBC-05-3TC-S	5L	3" Sanitary Seal w/ End Cap	Sterile	Each	2
F-PBC-10-3TC-S	10L			Each	
F-PBC-15-3TC-S	15L			Each	
F-PBC-25-3TC-S	25L			Each	
F-PBC-50-3TC-S	50L			Each	
F-PBC-05-4TC-S	5L	4" Sanitary Seal w/ End Cap		Each	
F-PBC-10-4TC-S	10L			Each	
F-PBC-15-4TC-S	15L			Each	
F-PBC-25-4TC-S	25L			Each	
F-PBC-50-4TC-S	50L			Each	
F-PBCW-05-3TC-S	5L	3" Sanitary Seal w/ End Cap Line 1: Wash Line, 3/8" x 5/8" PCS w/ MPC		Each	3
F-PBCW-10-3TC-S	10L			Each	
F-PBCW-15-3TC-S	15L			Each	
F-PBCW-25-3TC-S	25L			Each	
F-PBCW-50-3TC-S	50L			Each	
F-PBCW-05-4TC-S	5L	4" Sanitary Seal w/ End Cap Line 1: Wash Line, 3/8" x 5/8" PCS w/ MPC		Each	
F-PBCW-10-4TC-S	10L			Each	
F-PBCW-15-4TC-S	15L			Each	
F-PBCW-25-4TC-S	25L			Each	
F-PBCW-50-4TC-S	50L			Each	

PART NUMBER	CONFIGURATION	QTY
PBS-3TC	3" Sanitary Bag Stand	Each
PBS-4TC	4" Sanitary Bag Stand	Each

