



# **J4M 10**

# DATASHEET

## J4M 10 - GENERAL CHARACTERISTICS



Technical Data	
<b>Operation time unload</b>	12,8 Sec. / turn
<b>Minimum operational torque</b>	7 Nm / 61,96 lb/in
<b>Maximum operational torque</b>	15 Nm / 132,76 lb/in
<b>Duty rating</b>	75%
<b>Maximum number turns</b>	13.5
<b>Confirmations</b>	Standard_Analogue: 2 Relays 24VDC 1Amp. (1 Open and 1 Close) / Optional: Digitals (1 Open and 1 Close)
<b>Automatic heater</b>	3,5 W
<b>Big Plug</b>	EN 175301-803 FORM A
<b>Small Plug</b>	DIN43650/C
<b>Interface</b>	App and PC Program
<b>Protection IEC 60529 rating</b>	IP67
<b>Temperature</b>	-20°C +70°C / -4°F +158°F
<b>ISO 5210 Plate</b>	Standard: F05/F07
<b>DIN 3337 Female output drive</b>	Standard: *17 Optional: *11, *14 mm
<b>Weight</b>	1,9 kg

**Actuator with Bluetooth Configurations:**

- 1) On-Off
- 2) Digital positioner (input / output) 4-20mA, 0-20mA, 0-10V or 1-10V

Electronic Data	
<b>Electronic Torque Limiter function</b>	
<b>Electric motor</b>	24VDC Brushless motor
<b>Insulation</b>	Class B
<b>(IEC 60034) Service</b>	S4

Voltage VDC/VAC 50/60Hz 0%/5%	
<b>S10</b>	24-240 VDC/VAC
<b>B10</b>	12 VDC/VAC ONLY

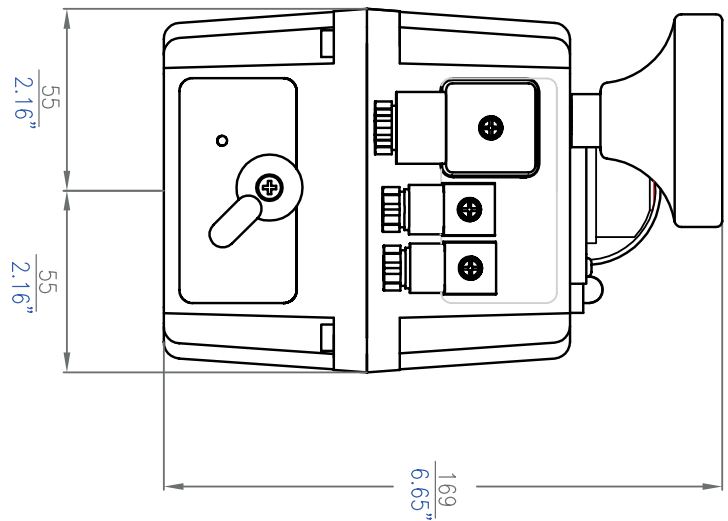
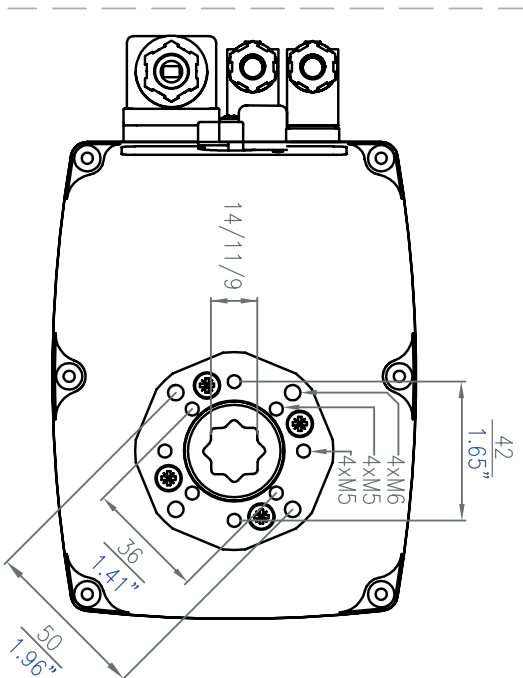
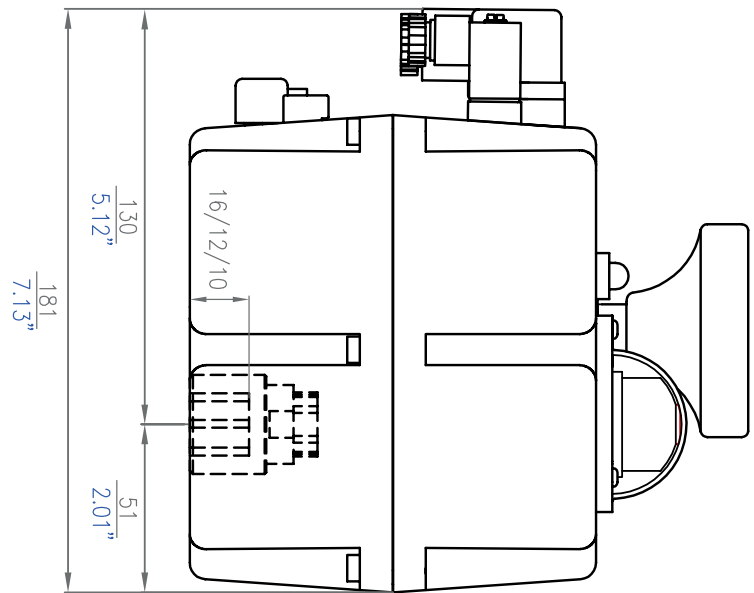
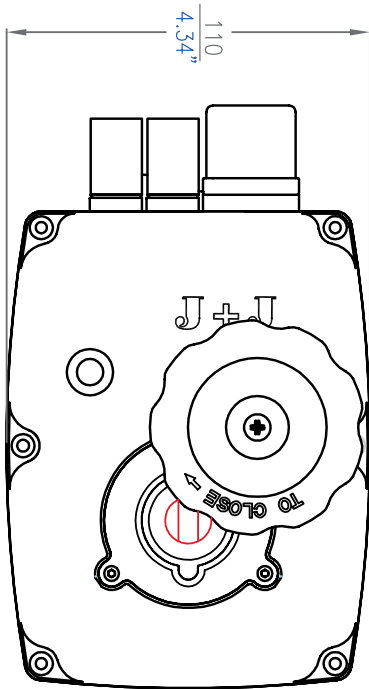
Materials	Standard	Optional
<b>Body</b>	Anticorrosive Polyamide, Grey colour	Polypropilene V0, Black colour
<b>Cover</b>	Anticorrosive Polyamide, Red colour	Polypropilene V0, Natural colour
<b>Output drive</b>	Zamak, Zinc plated	Zamak, TEFLON coated
<b>Flange</b>	Aluminium and Cataphoresis	Aluminium and TEFLON coated
<b>Main external shaft</b>	Stainless Steel	-
<b>External screws</b>	Stainless Steel	-
<b>Gears</b>	Steel and Polyamide	-
<b>Visual position indicator</b>	Polyamide	-
<b>Dome</b>	Polycarbonate	-

Manufacturer option

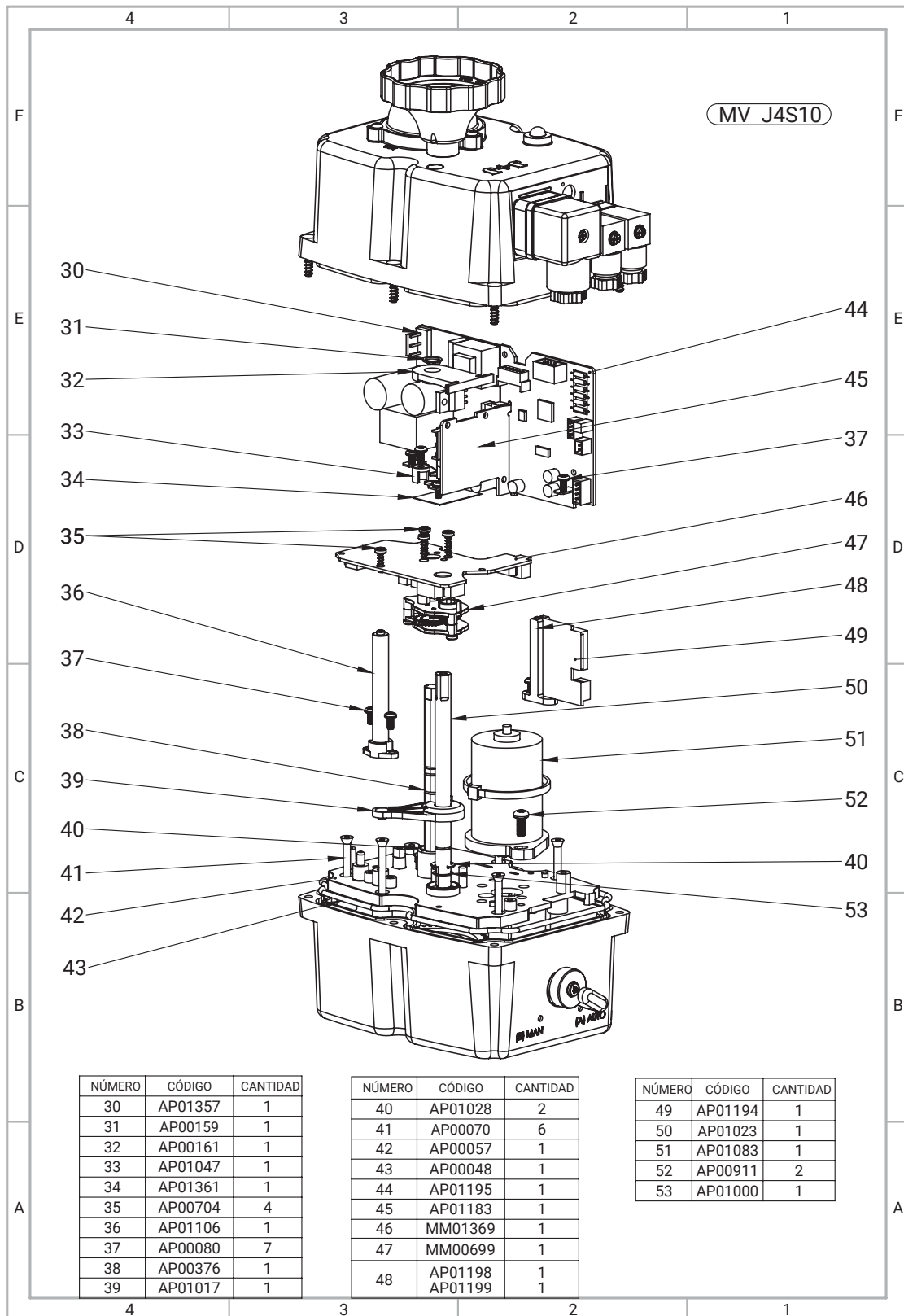


Note: Technical data are the same despite the different casings.

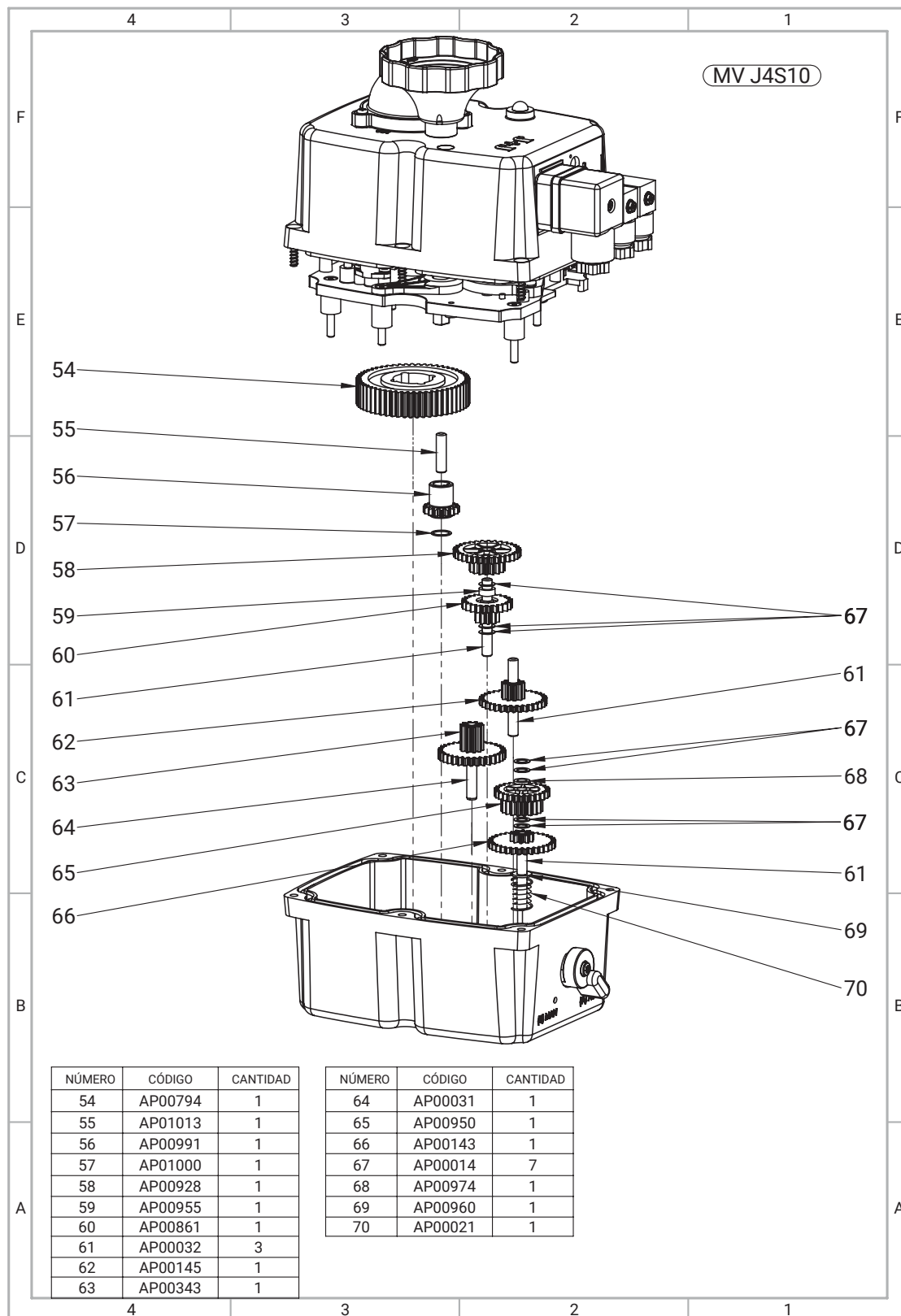
### J4M 10 SIZES



## EXPOLDED VIEW



## EXPLODED VIEW



## EXPLODED VIEW

