

MAGSON MML - 1

Magnetically coupled centrifugal pumps
made of stainless steel



More than just pumps

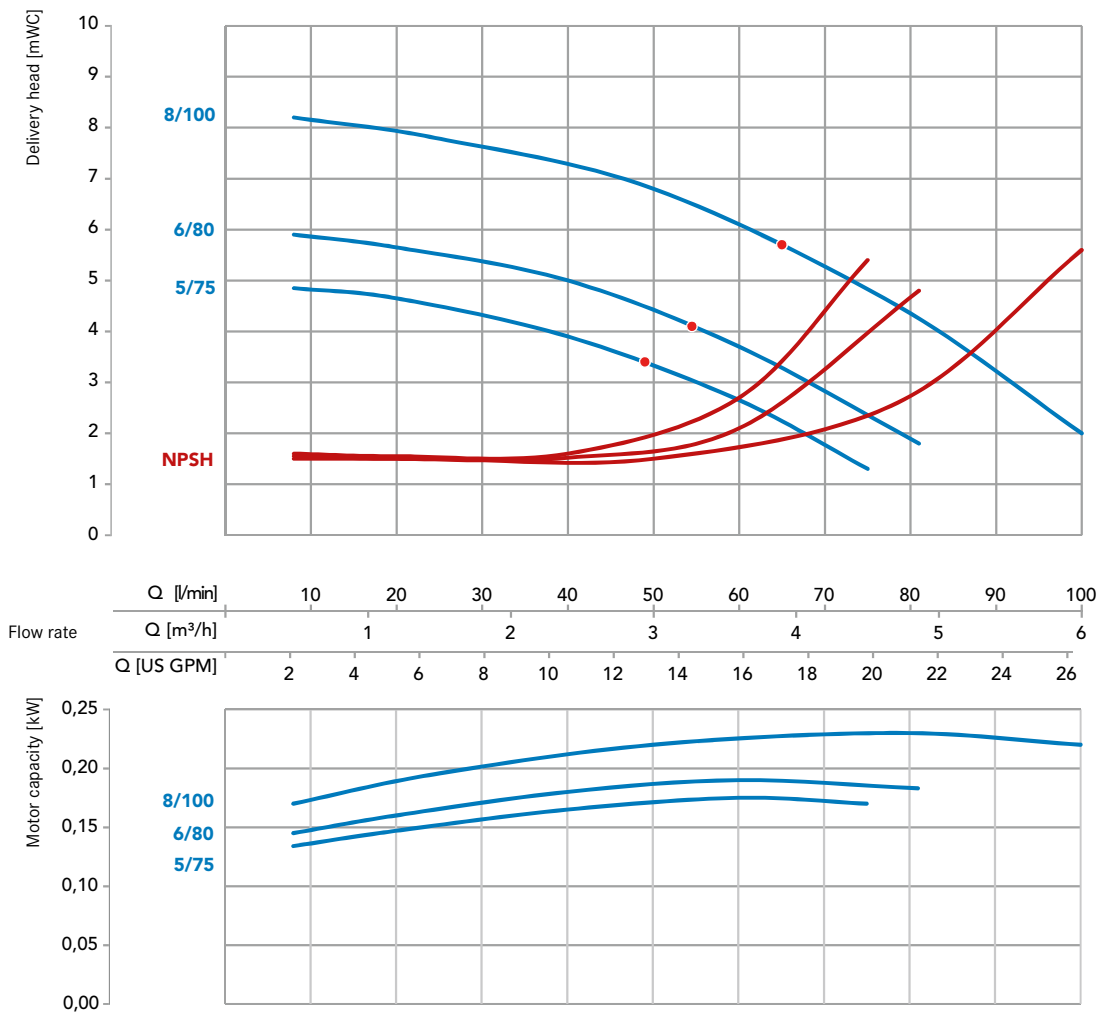


MML type 1



- Sealless
- Robust and casted casing
- Temperatures up to 150 °C
(higher temp. on request)
- Close coupled, single stage, horizontal back-pullout-design
- Flange connection according to DIN
- Suction side DN 25
- Discharge side DN 20

Characteristic curves



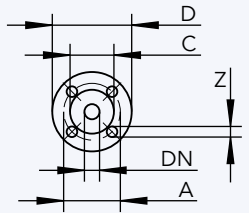
Technical data MML BG 1

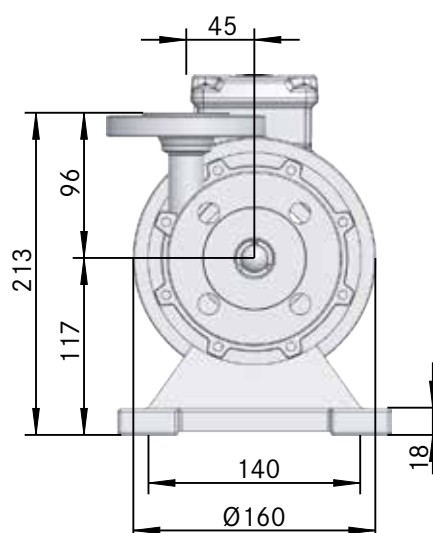
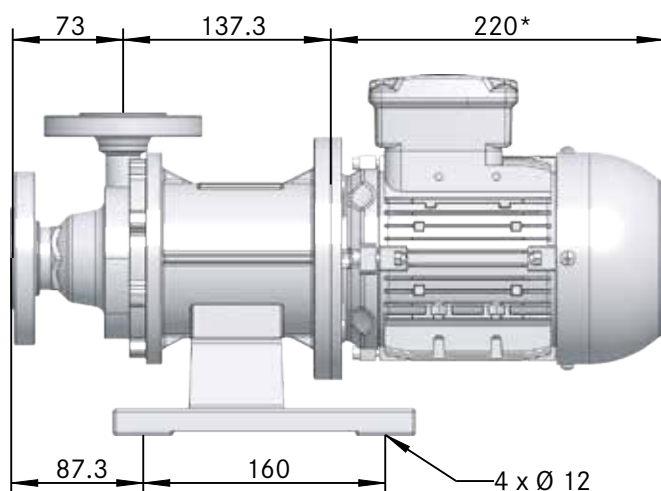
Type	5/75		6/80		8/100	
Material	Stainless steel 1.4408 (CF8M/AISI 316L)					
Max. delivery head [mWC] 50 Hz	5		6		8	
Max. volume flow in [l/min] 50Hz	75		80		100	
Max. density in [g/cm ³] 50 Hz *	2	3	1,9	2,8	1,6	2,3
Motor capacity [kW]	0,37	0,55	0,37	0,55	0,37	0,55
Current rating (400V, 50Hz) [A] **	0,96	1,41	0,96	1,41	0,96	1,41
Rated speed in [rpm] 50 Hz	3000					
Suction port	DN 25					
Discharge port	DN 20					
Voltage in [V] ***	230/400					
Protection class	IP55					
Max. flow velocity [m/s]	suction side 1 / discharge side 3					
Max. system pressure [bar]	16 / optional 25					
Max. temperature [°C]	150					

* approx. at max. volume flow (higher density possible when flow rate is reduced)

** depends on motor supplier

*** other voltages on request

	Dimensions [mm]	Connections DIN EN 1092-1		Length of motor	
		Suction	Discharge	0,37 kW	0,55 kW
Dimension A	85	75			
Dimension C	68	58			
Dimension D	115	105			
Dimension DN	25	20			
Dimension L*			196	226	
Dimension Z	14	14			



* Motor dimensions may differ according to manufacturer.



More than just pumps

FLUX is a world renowned brand for the highest standards in pump technology. It all began in 1950 with the invention of the electric drum pump. Today, FLUX offers a wide range of products which can be configured individually. For example, FLUX pumps are used in the chemical and pharmaceutical industries, in machine and plant construction, as well as in electroplating, sewage treatment plants, and the food industry.

Whether as a stand-alone or a system solution, FLUX quality means long useful life, excellent economic efficiency and a maximum of safety.

Apart from the outstanding FLUX product quality and reliability, our clients appreciate the expertise and dedication of our employees to customer service.

Today, FLUX-GERÄTE GMBH supplies pumps to almost one hundred countries world wide.

FLUX-GERÄTE GMBH

Process Pumps & Systems
August-Horch-Straße 2 · 51149 Köln
Postfach 920101 · 51151 Köln

Tel. +49 2203 9394-0
Fax +49 2203 9394-48

info-process@flux-pumpen.de
www.flux-pumps.com