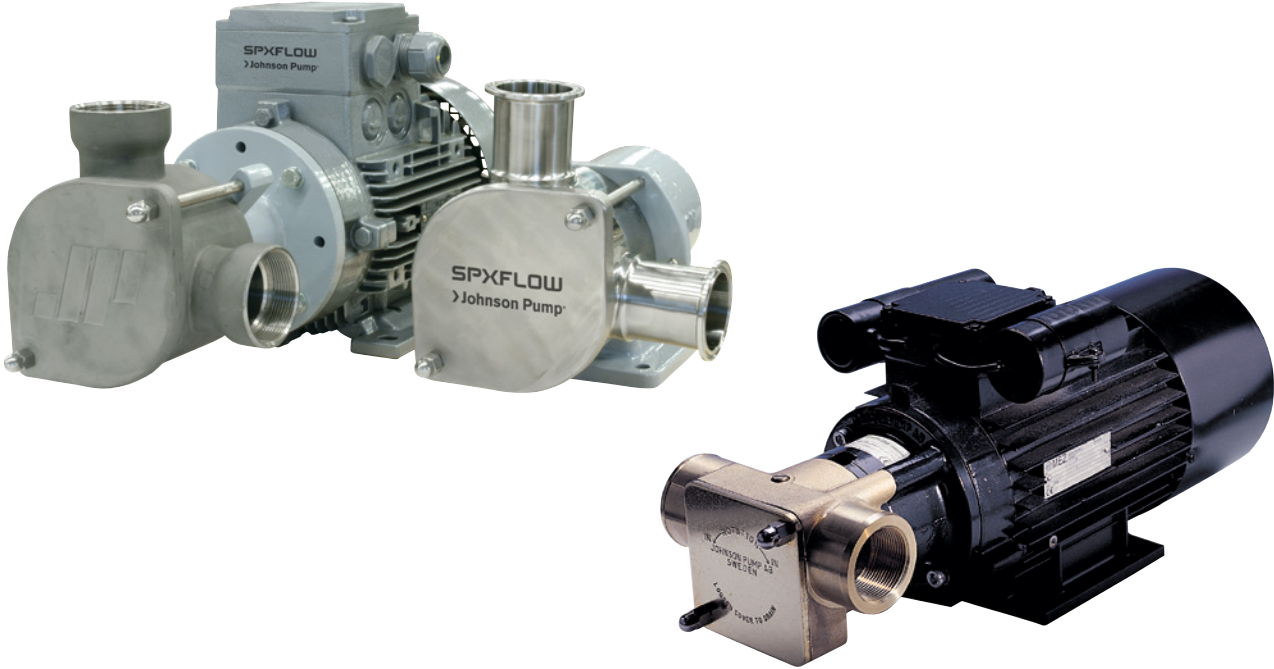


FIP

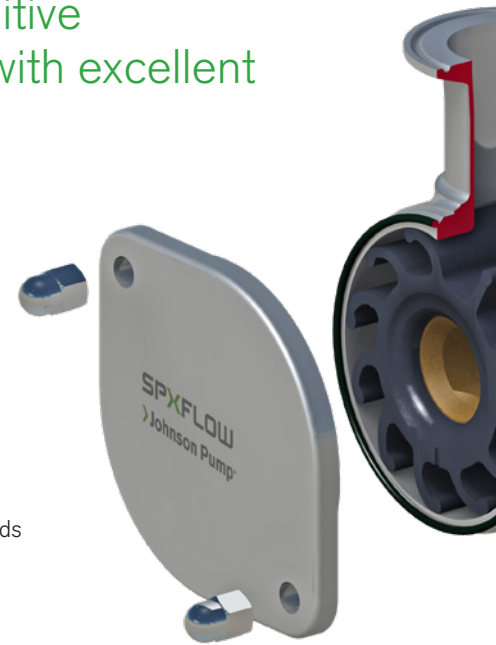
FLEXIBLE IMPELLER PUMPS



SPX FLOW has been busy improving the flexible impeller pump. Increased pressure capacities, a redesigned pump body and shaft seal, and new impeller materials make it possible for FIP pumps to serve in an extremely wide range of applications.

The FIP-range Easy-to-maintain positive displacement pump with excellent self-priming ability

- Extremely gentle product handling
- Evacuates air and gas
- Fully reversible
- Easy to clean and maintain
- Compact design
- Close coupled or pedestal mount
- Can pump liquids with non-abrasive solids



EXCELLENT SELF-PRIMING CAPACITY

FIP-pump creates a negative pressure, and does not require priming or filling if there is gas or air inside the liquid or system. A dry pump has a suction lift up to 5 meters within a few seconds.

PULSATION FREE AND REVERSIBLE FLOW

The FIP-pump gives a uniform flow without pulsation. By regulating the speed of the FIP, you can easily control the flow. The pump is fully reversible.

COMPACT DESIGN

The FIP has minimal outer dimensions compared to its capacity, which simplifies space and installation requirements.

The FIP product line is available close coupled to an IEC frame motor or pedestal mount for conventional in-line pump and drive arrangement.

EASY MAINTENANCE AND FAST TO CLEAN

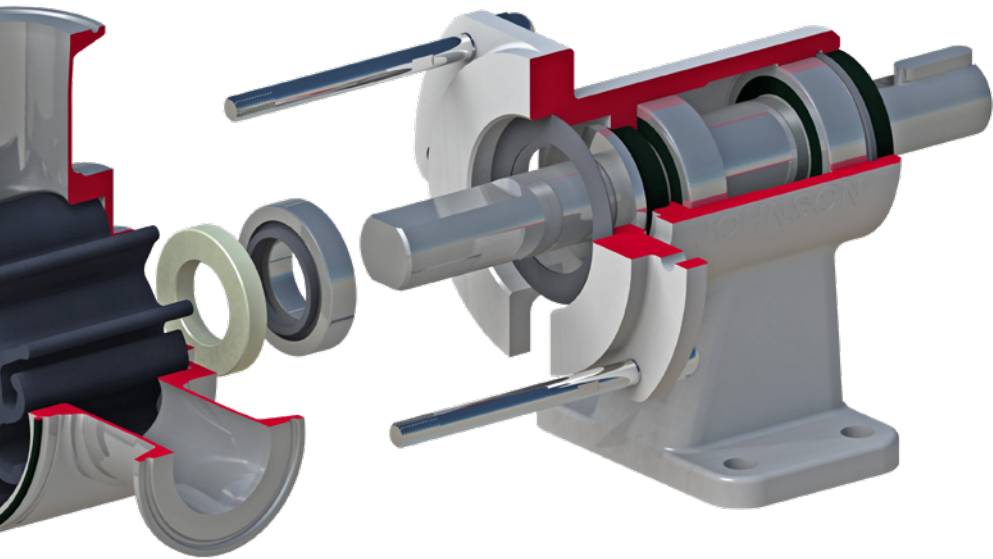
Unique 3 piece design reduces maintenance and cleaning time to a minimum. The pump cover is easily removed, providing full access to the impeller. Down-time is further reduced with no need to disconnect the pump from piping system.

Impellers available in Nitrile, EPDM, Neoprene, along with FDA approved food grade EPDM and Neoprene elastomers.

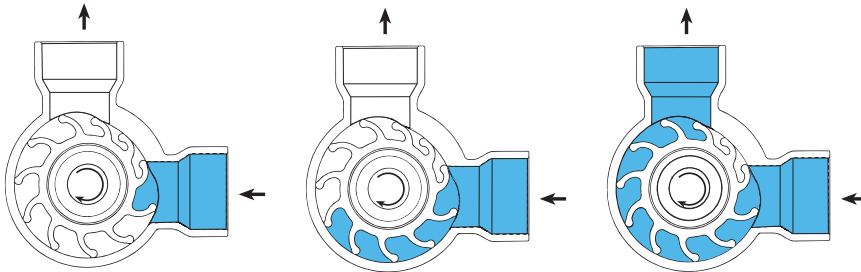
Based in Charlotte, North Carolina, SPX FLOW (NYSE: FLOW) is a multi-industry manufacturing company with operations in more than 35 markets worldwide. SPX FLOW's innovative, world-class products and highly-engineered solutions are helping to meet the needs of a constantly developing world and growing global population. You'll find our innovative solutions in everything from dairy plants and power plants to oil and gas pipelines, and the power grid. SPX FLOW is really everywhere you look.

We help our customers around the globe expand and enhance their food and beverage, power and energy and industrial production processes. For more information, please visit www.spxflow.com

Typical product applications



OPERATING PRINCIPLE

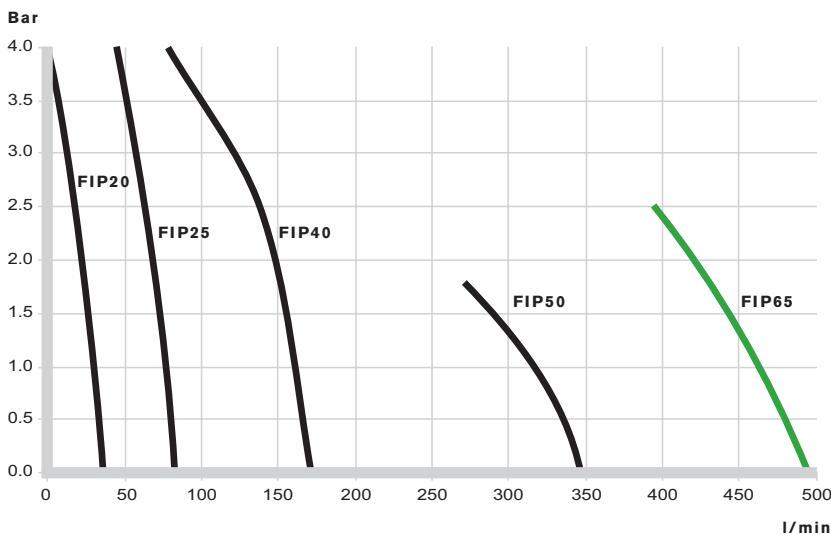


Due to the eccentric interior cross-section of the pump body, a partial vacuum is created as the volume increases between the flexible impeller wings at the inlet port. The resulting suction draws the liquid into the pump.

The rotating impeller carries the liquid from the inlet towards the outlet port. During this part of the cycle, the volume between the wings remains virtually constant. The distance between the wings allows non-abrasive solids to pass through the pump without damaging the particles or pump.

The liquid is discharged from the pump in a continuous, uniform flow when the wings bend, thus decreasing the volume between them, as they come into contact with the flattened part of the eccentric interior walls of the body.

CAPACITY DATA BASED ON WATER AT 20°C – 1400 RPM



FIP STAINLESS STEEL INDUSTRIAL VERSION

Available in either close coupled flange or conventional pedestal mount. 316 stainless steel pump with BSP or NPT threads suitable for non hygienic applications:

Pet food slurry, Brine injection, Flocculants, Detergents, Sampling, Sludge with air, Water based glues/paints, Glycols, Glycerine, Dyes



FIP STAINLESS STEEL HYGIENIC VERSION

Polished 316 stainless steel with a variety of hygienic connections and different food or milk grade impellers according to FDA regulations. Available in either close coupled flange or conventional pedestal mount. Typical applications include:

Milk, Cream, Curd, Yogurt, Whey, Condiments, Gelatine, Jams, Dressing, Canned foods, Soft drinks, Wine, Beer, Fruit juices, Flavourings, Edible oils, Batter, Brine injection, Cosmetics



FIP BRONZE VERSION

Bronze pump with BSP threads for liquids such as:

Saltwater, Mineral oils, Slurries, Additives or Abrasive products

FIP

SPXFLOW

Flexible Impeller Pumps

FOR YOUR LOCAL REPRESENTATIVE:

www.spxflow.com/en/johnson-pump/where-to-buy/

SPX FLOW EUROPE LTD - SWEDEN FILIAL

Nastagatan 19, P.O. Box 1436 • SE-701 14 Örebro, SWEDEN

P: +46 (0)19 21 83 00

E: johnson-pump.emea.se@spxflow.com

SPX FLOW, Inc. reserves the right to incorporate our latest design and material changes without notice or obligation.

Design features, materials of construction and dimensional data, as described in this bulletin, are provided for your information only and should not be relied upon unless confirmed in writing. Please contact your local sales representative for product availability in your region. For more information visit www.spxflow.com.

The green “>” and “X” are trademarks of SPX FLOW, Inc.

Bulletin: JP_200_GB Version: 01/2019

COPYRIGHT © 2019 SPX FLOW, INC.