

FLUID SOLAR

4" high efficiency submersible solar pumps

-  Clean water
(Maximum sand content 150 g/m³)
-  Domestic use
-  Agricultural use



PERFORMANCE RANGE

- Flow rate up to **180 l/min** (10.8 m³/h)
- Head up to **180 m**

APPLICATION LIMITS

- Maximum liquid temperature **+35 °C**
- Maximum sand content **150 g/m³**
- Maximum immersion depth of **40 m** with a sufficiently long power cable
- Installation:
 - vertical
 - horizontal

CONSTRUCTION AND SAFETY STANDARDS

EN 60335-1 EN 60034-1
IEC 60335-1 IEC 60034-1
CEI 61-150 CEI 2-3



EU REGULATION N. 547/2012

CERTIFICATIONS

Company with management system certified DNV
ISO 9001: QUALITY



TECHNICAL CHARACTERISTICS

- 4" multi-stage submersible solar pumps
- High performance motor with permanent magnets
- High efficiency photovoltaic panels
PANASONIC mod. VBHN240SJ25
- Electronic control incorporated in the motor

INSTALLATION AND USE

The **FLUID SOLAR** pumps have been developed to pump clean water from a well utilising energy obtained from photovoltaic panels. The electronic control incorporated into the high performance motor converts the exit voltage from the panels and regulates the velocity of rotation of the motor in order to utilise the available energy most efficiently at any one time: **on a sunny day there will be a high velocity of rotation with a raised performance of the pump, and on a cloudy day the velocity and the performance will be reduced.**

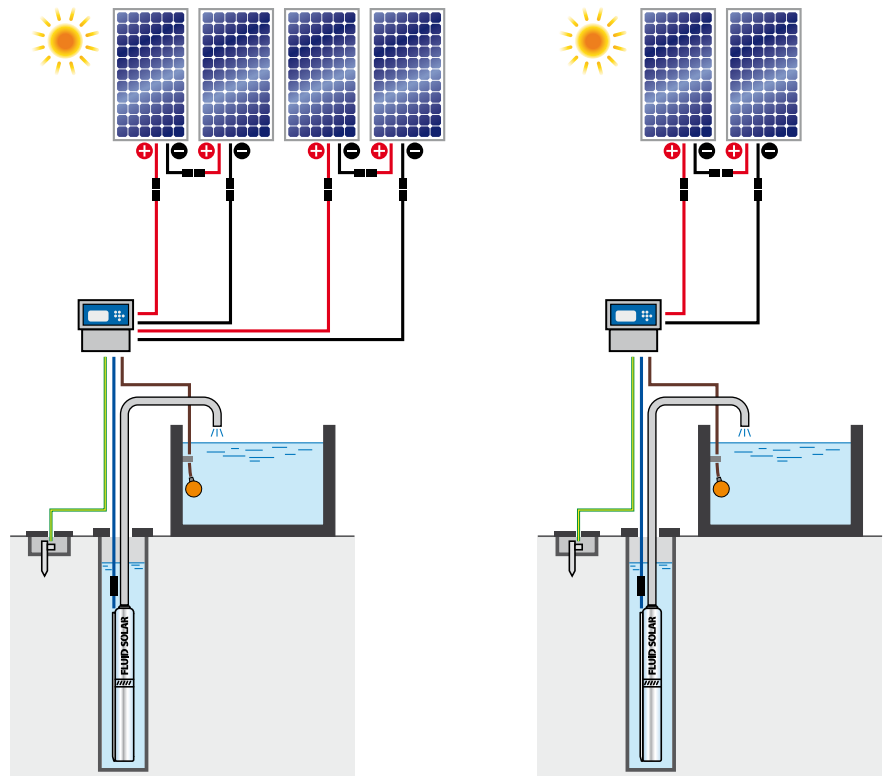
PATENTS - TRADE MARKS

- Patent n. 0001413386, EP2419642
- Patent n. EP2300717
- FLUID SOLAR® Registered Trade Mark n. 0001516301

Installation examples for electric water pump as P1=750 W

FLUID SOLAR 1/10 - 2/6 - 4/4 - 6/3

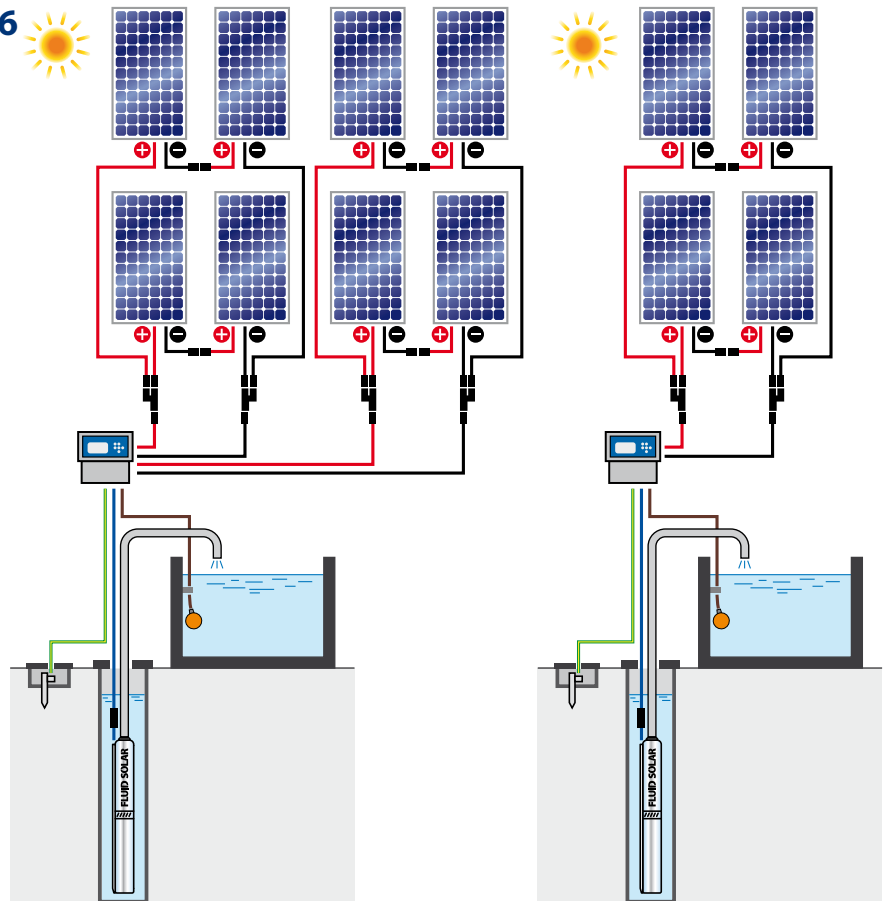
- To get the nominal maximum performances waterpump has to be powered by **n. 4 photovoltaic modules** with a nominal total power of **980 Wp** at least.
- Waterpump can be powered even by only **2 photovoltaic modules**: in this case performances are lower than maximum nominal performances that can be achieved with 4 modules.
- Empty tension for any single module has to range between **35 to 50 V_{DC}**.



Installation examples for electric water pump as P1=1500 W

FLUID SOLAR 1/20 - 2/14 - 4/8 - 6/6

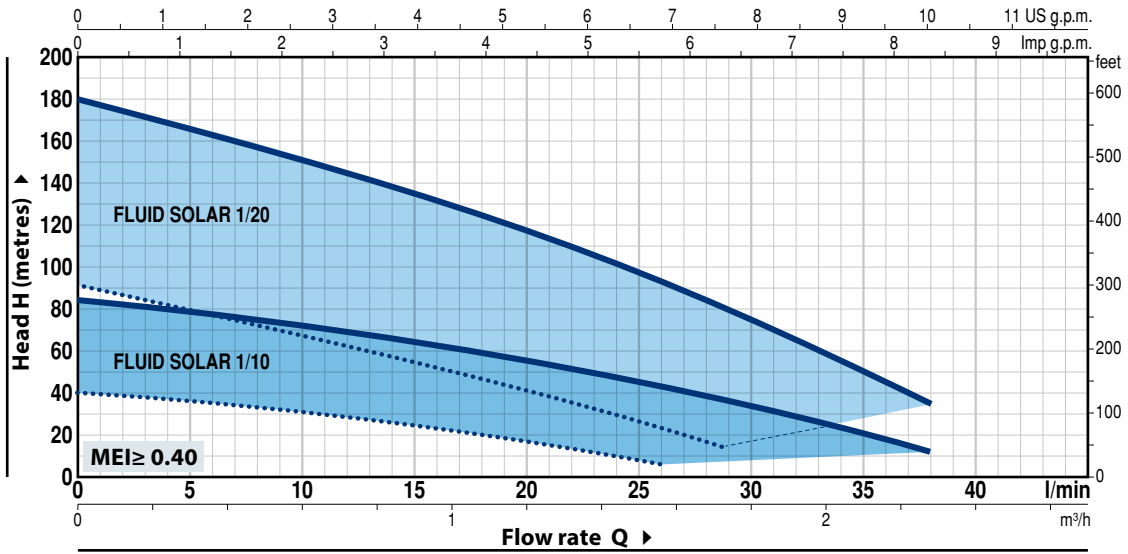
- To get the nominal maximum performances waterpump has to be powered by **n. 8 photovoltaic modules** with a nominal total power of **1960 Wp** at least.
- Waterpump can be powered even by only **4 photovoltaic modules**: in this case performances are lower than maximum nominal performances that can be achieved with 8 modules.
- Empty tension for any single module has to range between **35 to 50 V_{DC}**.



FLUID SOLAR

CHARACTERISTIC CURVES AND PERFORMANCE DATA

Tolerance of characteristic curves in compliance with EN ISO 9906 Grade 3B



FLUID SOLAR 1/10

ABSORBED POWER P₁ **750 W**

Performance with **4 photovoltaic panels** with a total rated power of 980 Wp

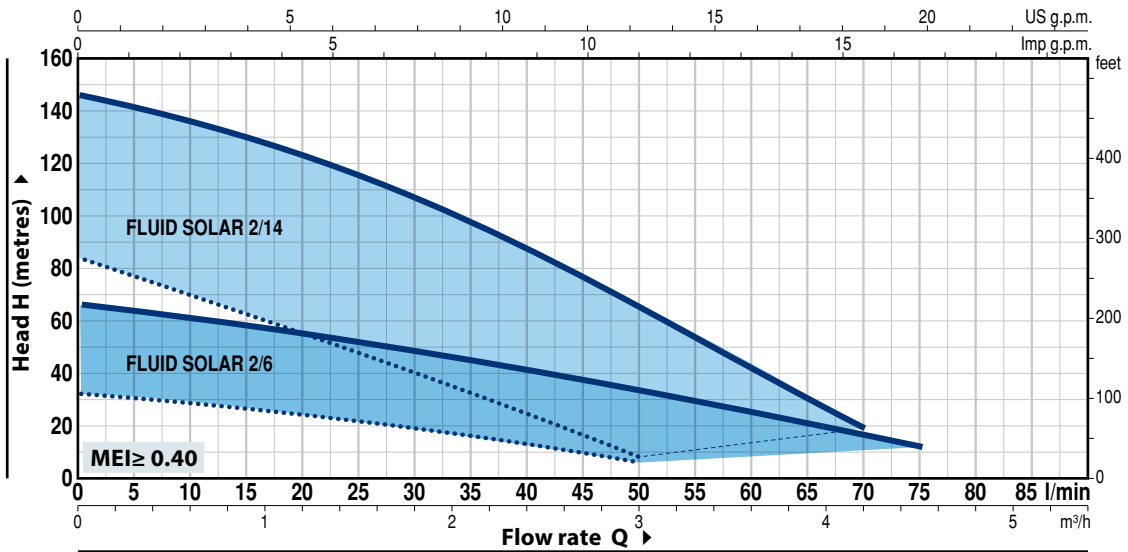
Q	m ³ /h							
	0	0.3	0.6	1.2	1.6	1.8	2.3	
l/min	0	5	10	20	26	30	38	
H metres	—	84	79	72	56	42	33	12
	40	36	31	17	6		

FLUID SOLAR 1/20

ABSORBED POWER P₁ **1500 W**

Performance with **8 photovoltaic panels** with a total rated power of 1960 Wp

Q	m ³ /h								
	0	0.3	0.6	1.2	1.6	1.74	1.8	2.3	
l/min	0	5	10	20	26	29	30	38	
H metres	—	180	165	150	118	92	79	75	35
	90	80	67	41	22	13		



FLUID SOLAR 2/6

ABSORBED POWER P₁ **750 W**

Performance with **4 photovoltaic panels** with a total rated power of 980 Wp

Q	m ³ /h										
	0	0.3	0.6	1.2	1.8	2.4	3.0	3.6	4.2	4.5	
l/min	0	5	10	20	30	40	50	60	70	75	
H metres	—	66	64	61	55	48	41	33	25	16	12
	32	31	28	24	19	13	6			

FLUID SOLAR 2/14

ABSORBED POWER P₁ **1500 W**

Performance with **8 photovoltaic panels** with a total rated power of 1960 Wp

Q	m ³ /h									
	0	0.3	0.6	1.2	1.8	2.4	3.0	3.6	4.2	
l/min	0	5	10	20	30	40	50	60	70	
H metres	—	146	140	136	123	107	87	65	42	20
	82	77	70	55	40	24	8		

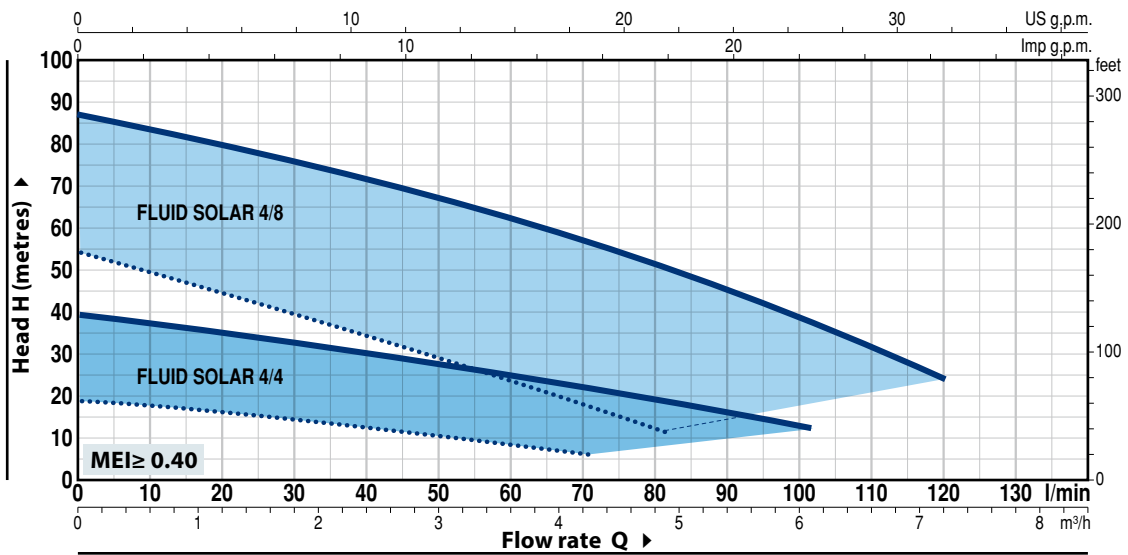
— Performance with a solar radiation of 1000 W/m² and with an available voltage of the photovoltaic panels of 100 Vdc

.... Performance with a solar radiation of 300 W/m² and with an available voltage of the photovoltaic panels of 70 Vdc

The performance curves illustrated above are obtained with the photovoltaic panels facing SOUTH (facing NORTH for installations in the southern hemisphere) and optimising the angle of inclination in relation to the horizon in compliance with the latitude of the installation site

CHARACTERISTIC CURVES AND PERFORMANCE DATA

Tolerance of characteristic curves in compliance with EN ISO 9906 Grade 3B



FLUID SOLAR 4/4

ABSORBED POWER P₁ **750 W**

Performance with **4 photovoltaic panels** with a total rated power of 980 Wp

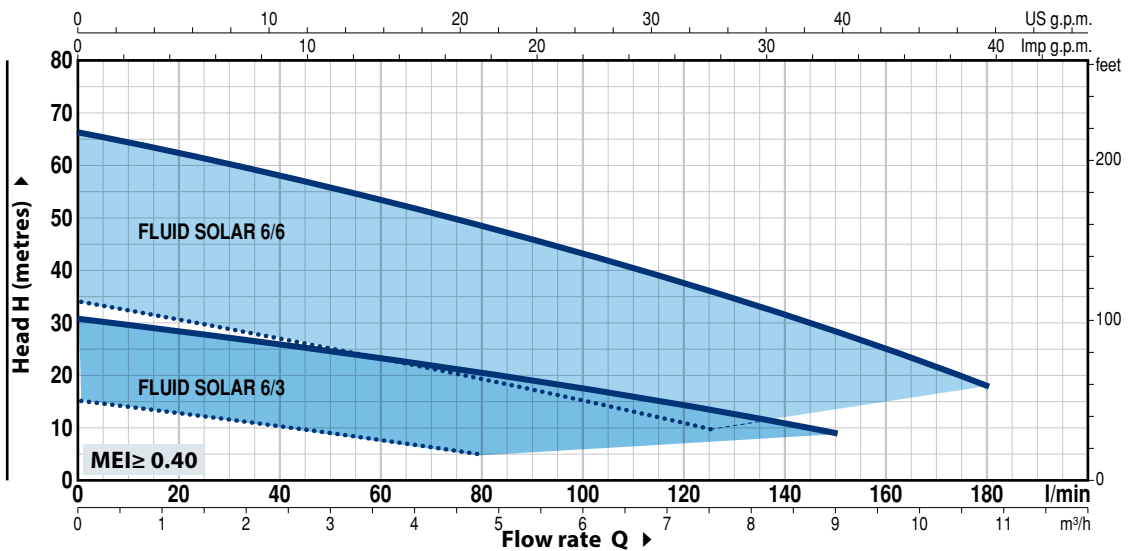
Q	m ³ /h												
	0	0.3	0.6	1.2	1.8	3.0	3.6	4.3	4.5	4.8	5.7	6.1	
l/min	0	5	10	20	30	50	60	71	75	80	95	102	
H metres	—	39	38.5	37	35	32.5	27	25	22	21	18	14	12
	19	18.5	17.5	16	14	10	8	6				

FLUID SOLAR 4/8

ABSORBED POWER P₁ **1500 W**

Performance with **8 photovoltaic panels** with a total rated power of 1960 Wp

Q	m ³ /h									
	0	0.3	0.6	1.2	2.4	3.6	4.9	6.0	7.2	
l/min	0	5	10	20	40	60	82	100	120	
H metres	—	87	85	83	80	71	62	50	39	24
	54	52	49	45	34	23	11		



FLUID SOLAR 6/3

ABSORBED POWER P₁ **750 W**

Performance with **4 photovoltaic panels** with a total rated power of 980 Wp

Q	m ³ /h								
	0	0.3	1.8	3.6	4.8	5.4	7.2	9.0	
l/min	0	5	30	60	80	90	120	150	
H metres	—	31	30	27	23	20	19	14	9
	15	14	11	8	5			

FLUID SOLAR 6/6

ABSORBED POWER P₁ **1500 W**

Performance with **8 photovoltaic panels** with a total rated power of 1960 Wp

Q	m ³ /h									
	0	0.3	1.8	3.6	5.4	7.2	7.5	9.0	10.8	
l/min	0	5	30	60	90	120	125	150	180	
H metres	—	66	65	60	53	46	37	36	28	18
	34	33	29	23	17	11	10		

— Performance with a solar radiation of 1000 W/m² and with an available voltage of the photovoltaic panels of 100 Vdc

.... Performance with a solar radiation of 300 W/m² and with an available voltage of the photovoltaic panels of 70 Vdc

The performance curves illustrated above are obtained with the photovoltaic panels facing SOUTH (facing NORTH for installations in the southern hemisphere) and optimising the angle of inclination in relation to the horizon in compliance with the latitude of the installation site

FLUID SOLAR $P_1 = 750\text{ W}$

POS. COMPONENT CONSTRUCTION CHARACTERISTICS

1 DELIVERY BODY AND EXTERNAL SLEEVE	Stainless steel AISI 304 complete with threaded delivery port in compliance with ISO 228/1.
2 IMPELLERS	Lexan 141-R for FLUID SOLAR 1/10, 4/4, 6/3 Delrin for FLUID SOLAR 2/6
3 DIFFUSERS	Noryl FE1520PW
4 STAGE BOXES / STAGE LIDS	Stainless steel AISI 304
5 CABLE COVER	Stainless steel AISI 304
6 PUMP SHAFT	Stainless steel AISI 304 for FLUID SOLAR 1/10, 4/4, 4/8, 6/3
7 DRIVE COUPLING	Stainless steel AISI 316L for FLUID SOLAR 1/10, 4/4, 4/8, 6/3
8 MOTOR SHAFT	Stainless steel AISI 431
9 MOTOR SLEEVE	Stainless steel AISI 304
10 TWO MECHANICAL SEALS SEPARATED BY AN OIL CHAMBER	
<i>Seal Model</i>	<i>Shaft Diameter</i> <i>Position</i> <i>Stationary ring</i> <i>Rotational ring</i> <i>Materials</i> <i>Elastomer</i>
STA-17	Ø 17 mm Motor side Silicon carbide Graphite NBR
ST1-16	Ø 16 mm Pump side Silicon carbide Graphite NBR
11 BEARINGS	6203 2RS - C3E / 6203 ZZ - C3E
12 INVERTER	
13 ELECTRIC MOTOR	<ul style="list-style-type: none"> – Submersible motor, suitable for continuous duty (with dry, rewindable stator). – High performance motor with permanent magnets – Insulation: class F – Protection: IP X8

14 POWER CABLE	<p>⇒ PBS-P type approved for use in drinking water by "ACS" in compliance with BS 6920, approval n. 04 ACCLI 201 Standard length 2 metres</p> <p>Equipment supplied: connection kit for RPS2 cables</p>
-----------------------	--

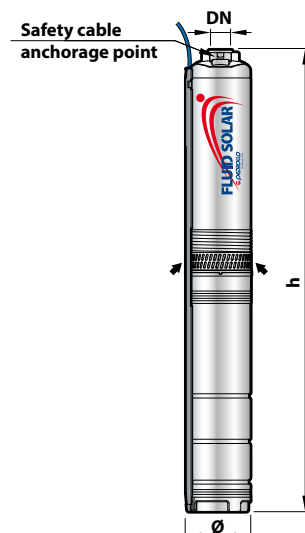
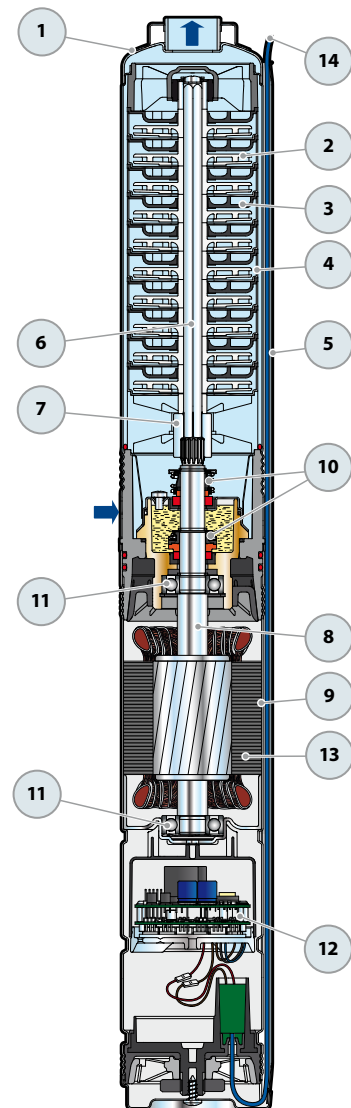
15 CONTROL BOX	
-----------------------	--

16 CONNECTORS	<ul style="list-style-type: none"> – 2 SMK male connectors – 2 SMK female connectors
----------------------	--

DIMENSIONS AND WEIGHT

MODEL	PORT DN	N. STAGES	DIMENSIONS mm		kg *
			Ø	h	
FLUID SOLAR 1/10	1"	10	100	710	12.3
FLUID SOLAR 2/6		6		587	11.4
FLUID SOLAR 4/4		4		614	11.0
FLUID SOLAR 6/3	3	616		11.0	

(* weight of the pump with control box)



POS. COMPONENT CONSTRUCTION CHARACTERISTICS

1	DELIVERY BODY AND EXTERNAL SLEEVE	Stainless steel AISI 304, complete with threaded delivery port in compliance with ISO 228/1.
2	IMPELLERS	Lexan 141-R
3	DIFFUSERS	Noryl FE1520PW
4	STAGE BOXES / STAGE LIDS	Stainless steel AISI 304
5	CABLE COVER	Stainless steel AISI 304
6	PUMP SHAFT	Stainless steel AISI 304
7	DRIVE COUPLING	Stainless steel AISI 316L
8	MOTOR SHAFT	Stainless steel AISI 431
9	MOTOR SLEEVE	Stainless steel AISI 304

10 TWO MECHANICAL SEALS SEPARATED BY AN OIL CHAMBER

Seal Model	Shaft Diameter	Position	Materials		
			Stationary ring	Rotational ring	Elastomer
STA-17	Ø 17 mm	Motor side	Silicon carbide	Graphite	NBR
ST1-16	Ø 16 mm	Pump side	Silicon carbide	Graphite	NBR

11 BEARINGS 3203 B 2RS - C3E / 6203 ZZ - C3E

12 INVERTER

13 ELECTRIC MOTOR

- Submersible motor, suitable for continuous duty (with dry, rewindable stator).
- High performance motor with permanent magnets
- Insulation: class F
- Protection: IP X8

14 POWER CABLE

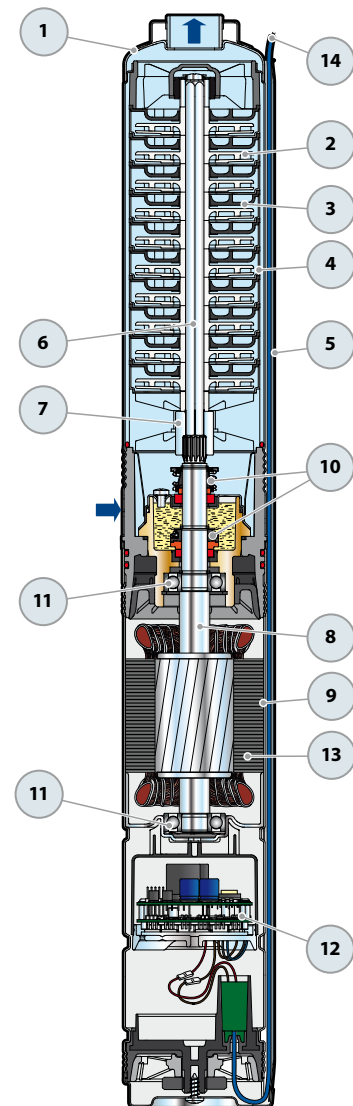
- ⇒ **PBS-P type approved for use in drinking water by "ACS" in compliance with BS 6920, approval n. 04 ACCLI 201 Standard length 2 metres**

Equipment supplied: connection kit for RPS2 cables

15 CONTROL BOX

16 CONNECTORS

- N. 2 SMK male connectors
- N. 2 SMK female connectors
- N. 2 Y female/male-male connectors type MC4
- N. 2 Y male/female-female connectors type MC4



Equipment supplied



DIMENSIONS AND WEIGHT

MODEL	PORT DN	N. STAGES	DIMENSIONS mm		kg *
			Ø	h	
FLUID SOLAR 1/20	1"	20	100	990	13.9
FLUID SOLAR 2/14		14		855	13.8
FLUID SOLAR 4/8		8		772	13.7
FLUID SOLAR 6/6	1 1/4"	6		776	13.7

(* weight of the pump with control box)

