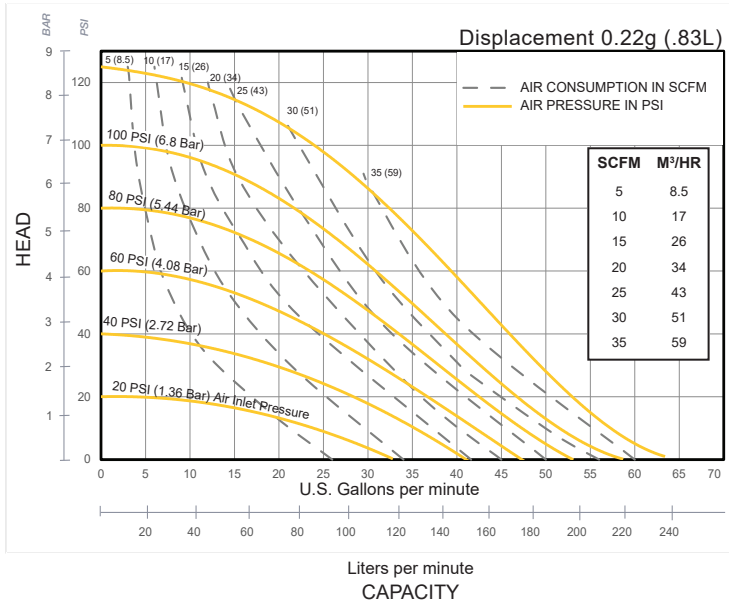


VALOR DATA SHEET

SPECIFICATIONS & PERFORMANCE

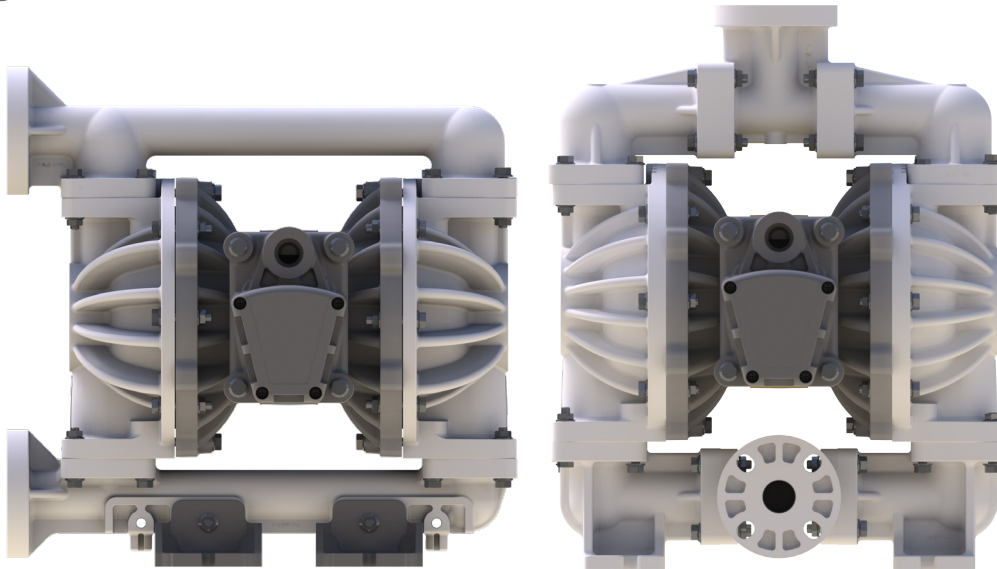
1" Plastic Valor

PERFORMANCE



NOTE: Performance based on the following: elastomeric fitted pump, flooded suction, water at ambient conditions. The use of other materials and varying hydraulic conditions may result in deviations in excess of 5%.

DIMENSIONS



SPECIFICATIONS

Flow Rate

Adjustable to 0-63 gpm (238 lpm)

Port Size - Suction / Discharge

. 1" ANSI/DIN Flange

Max Solid Size (Diameter)

. 0.25" (6 mm)

Air Inlet 3/4" NPT

Air Exhaust 1" NPT

Suction Lift 19' (5.8 m) Dry

. 31' (9.5 m) Wet

Weights

. Polypropylene 25 lbs. (11.3 kg)

. PVDF 42 lbs. (19 kg)

. Conductive Poly 28lbs (12.7 kg)



Warren Rupp, Inc. | A Unit of IDEX Corporation
 800 North Main Street | Mansfield, OH 44902 USA
 Phone: 419.526.7296 | Fax: 419.526.7289

VERSAMATIC.COM

Valor_Datasheet-rev0523

©Copyright 2023 Warren Rupp, Inc. All Rights Reserved.

VALOR DATA SHEET

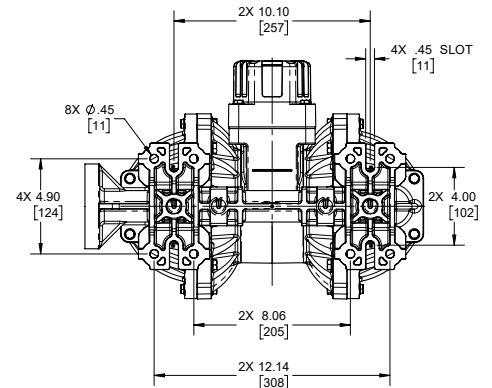
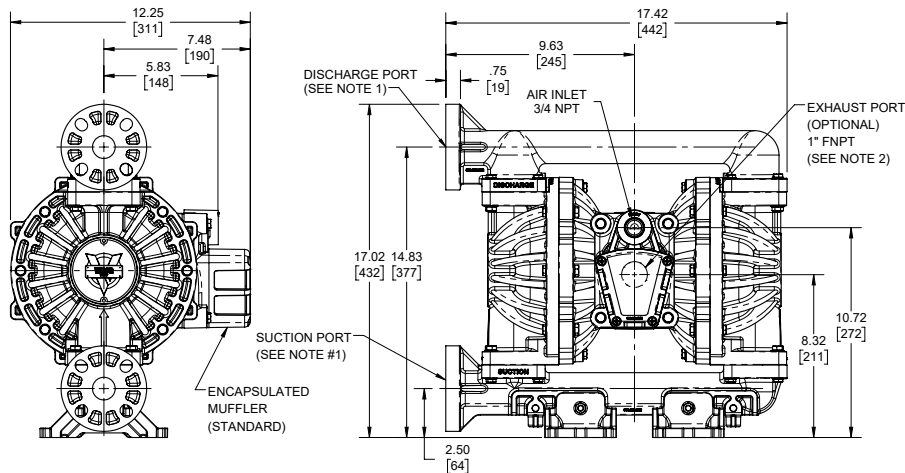
SPECIFICATIONS & PERFORMANCE

1" Plastic Valor

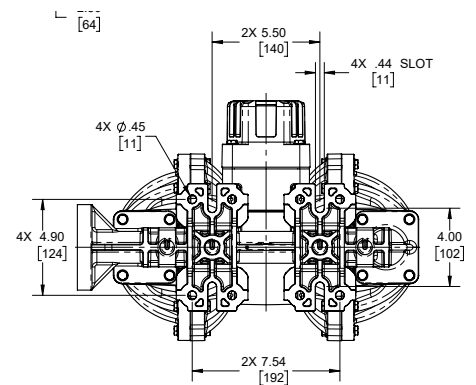
DIMENSIONS

Valor End Ported Option- Polypropylene and PVDF Wet Side

Dimensions in inches (metric dimensions in brackets). Dimensional Tolerance .125" (3mm).

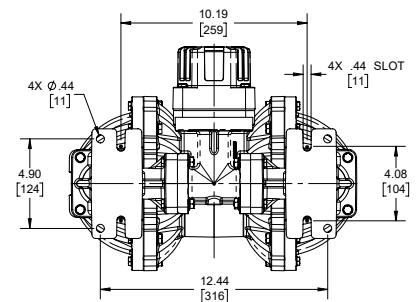
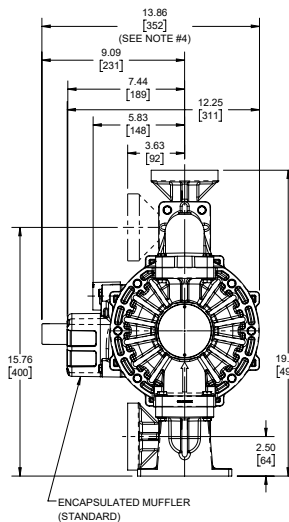
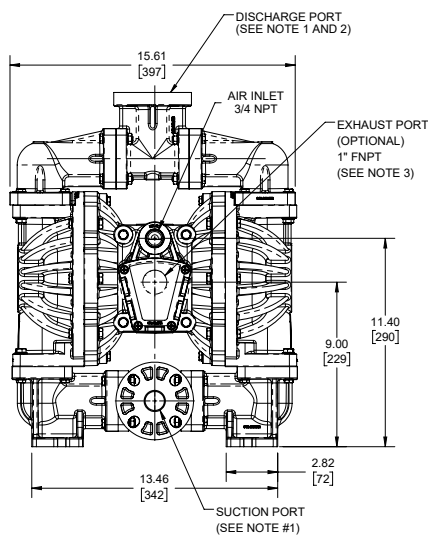


Alternate foot position



Valor Plastic Bolted Center Ported Options-Polypropylene, PVDF, and Conductive Polypropylene Wet Side

Dimensions in inches (metric dimensions in brackets). Dimensional Tolerance .125" (3mm).



VERSAMATIC®

Warren Rupp, Inc. | A Unit of IDEX Corporation
800 North Main Street | Mansfield, OH 44902 USA
Phone: 419.526.7296 | Fax: 419.526.7289

VERSAMATIC.COM

Valor_Datasheet-rev0523

©Copyright 2023 Warren Rupp, Inc. All Rights Reserved.