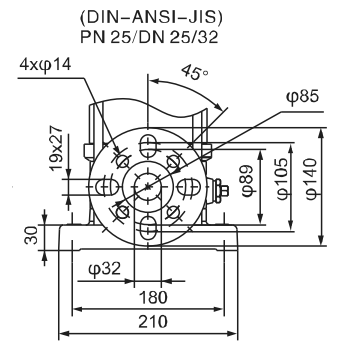
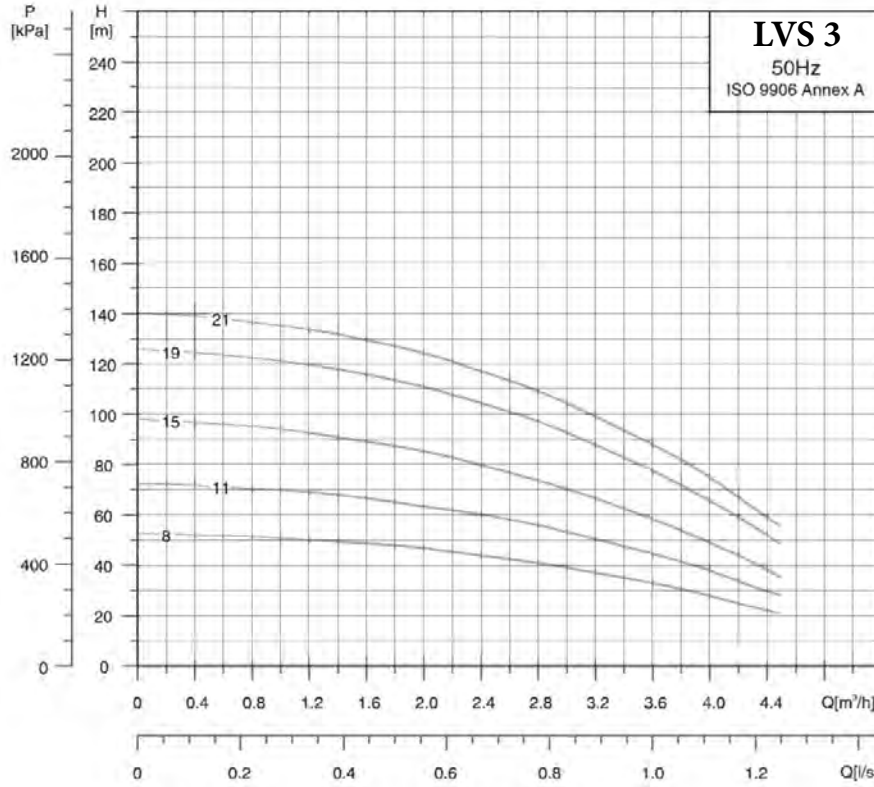
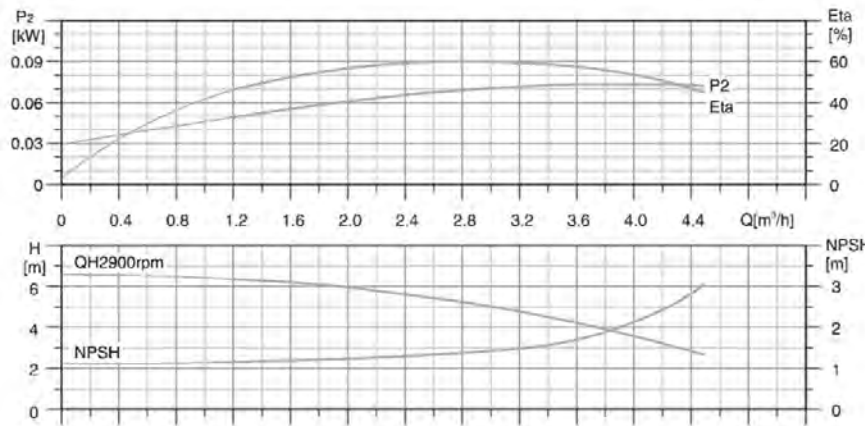


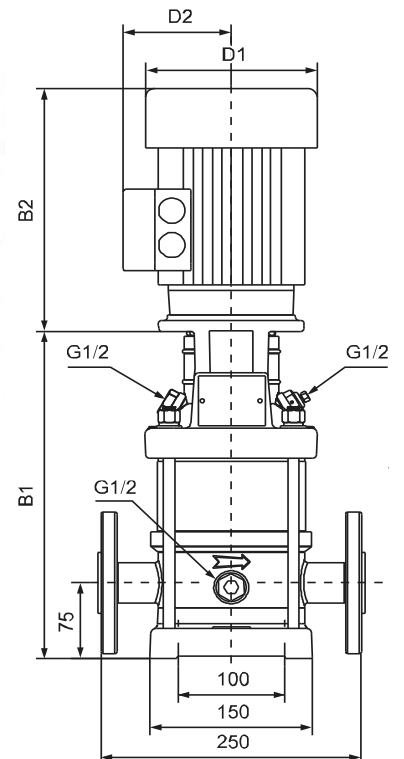
MODEL	POWER [kW]	Q [m <sup>3</sup> /h]	1.2	1.6	2.0	2.4	2.8	3.2	3.6	4.0
3-8	0.75	H (m)	51	48	47	44	41	37	33	28
3-11	1.1		69	66	63	60	56	50	44	38
3-15	1.1		92	89	85	80	73	66	58	49
3-19	1.5		119	116	111	104	97	88	77	65
3-21	2.2		133	129	124	117	109	99	88	75



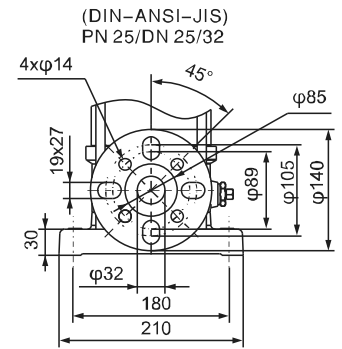
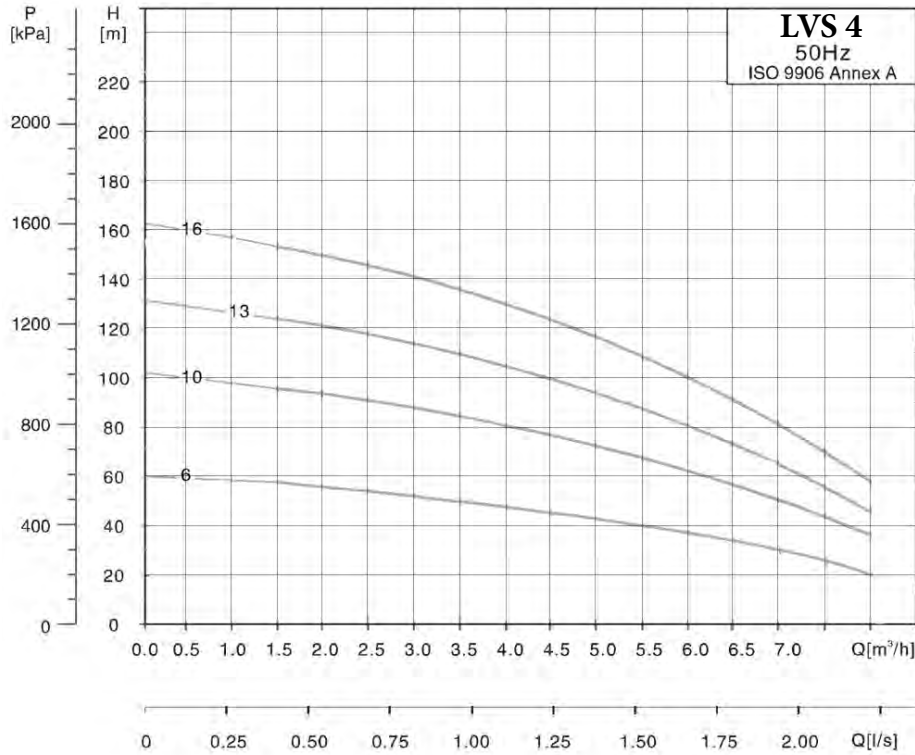
DIN FLANGE(LVS)/F



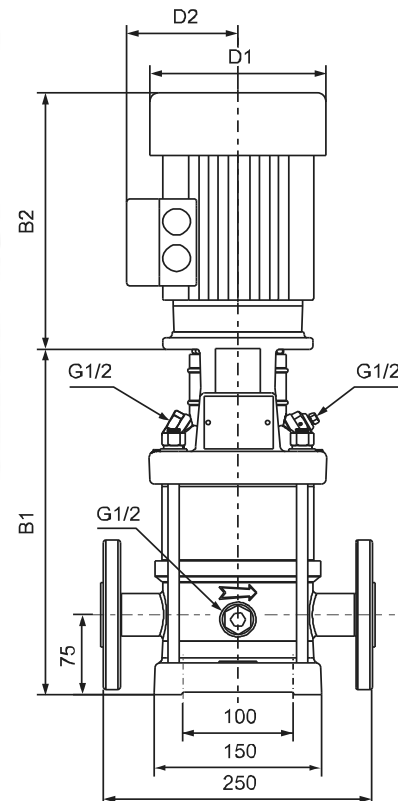
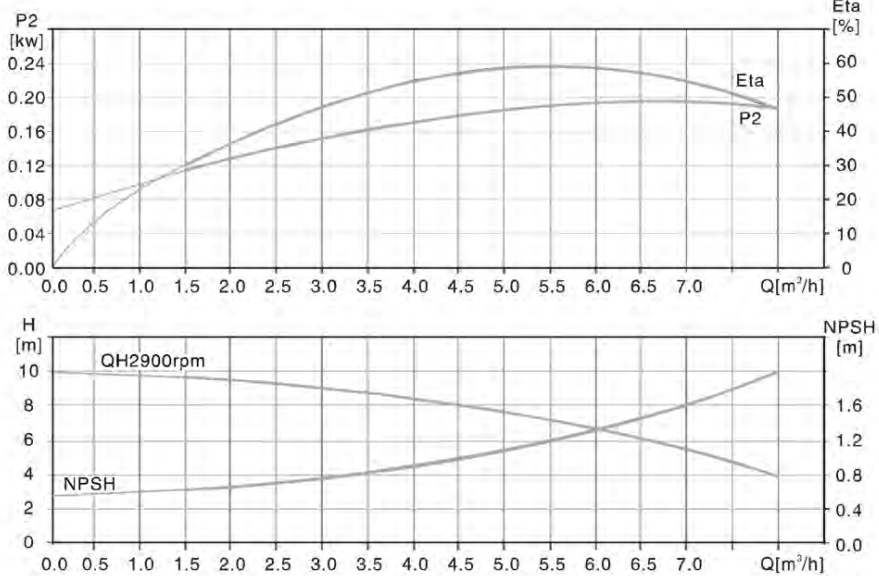
MODEL	DIN FLANGE (LVS)		D1	D2
	B1	B1+B2		
3-8	376	626	155	124
3-11	430	680	155	124
3-15	502	752	155	124
3-19	590	900	175	137
3-21	626	936	175	137



MODEL	POWER [kW]	Q [m³/h]	1.5	2.0	3.0	1.0	5.0	6.0	7.0	8.0
4-6	1.1	H (m)	56	54	52	48	41	37	28	20
4-10	2.2		96	90	87	81	71	62	50	34
4-13	3.0		123	117	113	103	93	82	63	45
4-16	3.0		152	144	140	129	115	101	78	55

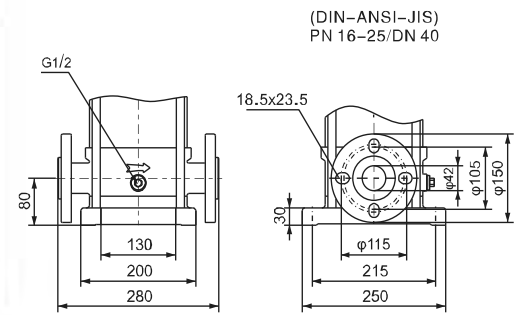
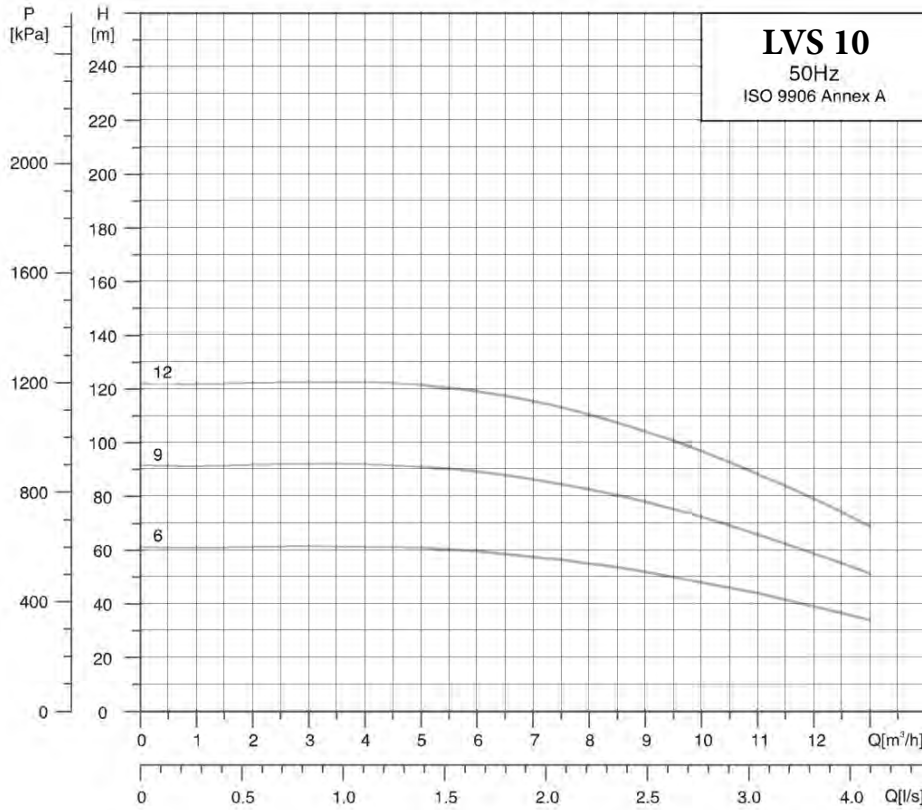


DIN FLANGE(LVS)/F

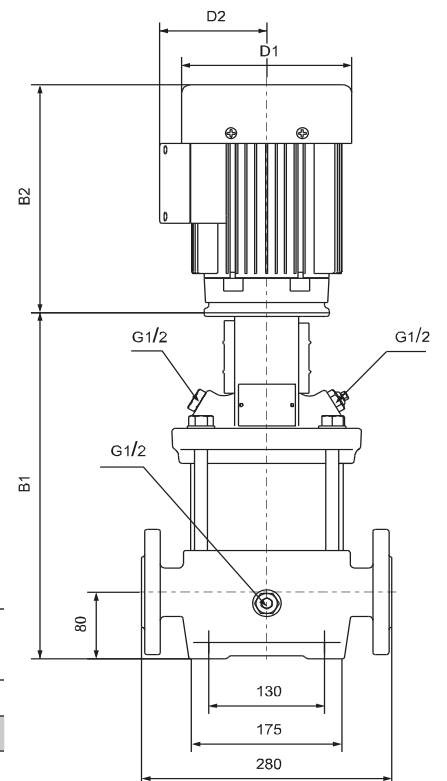
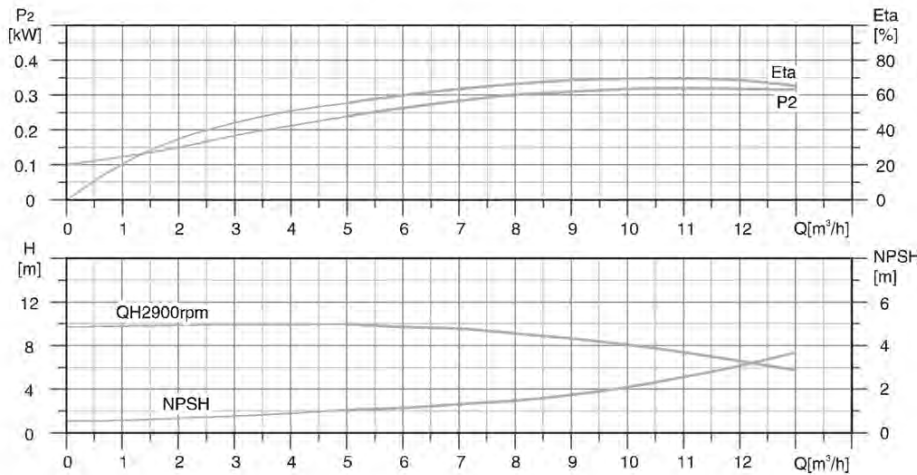


MODEL	DIN FLANGE (LVS)		D1	D2
	B1	B1+B2		
4-6	376	626	160	125
4-10	501	791	180	125
4-13	590	920	190	140
4-16	671	1001	190	140

MODEL	POWER [kW]	Q [m <sup>3</sup> /h]	2	4	6	8	10	12
10-6	2.2	H (m)	61	61	59	55	48	39
10-9	3.0		92	92	89	82	72	59
10-12	4.0		122	122	119	110	97	79

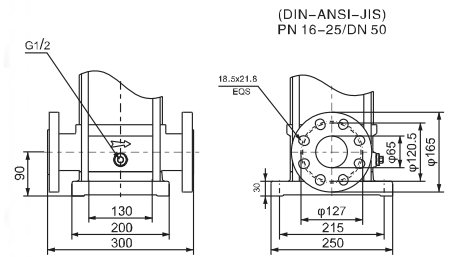
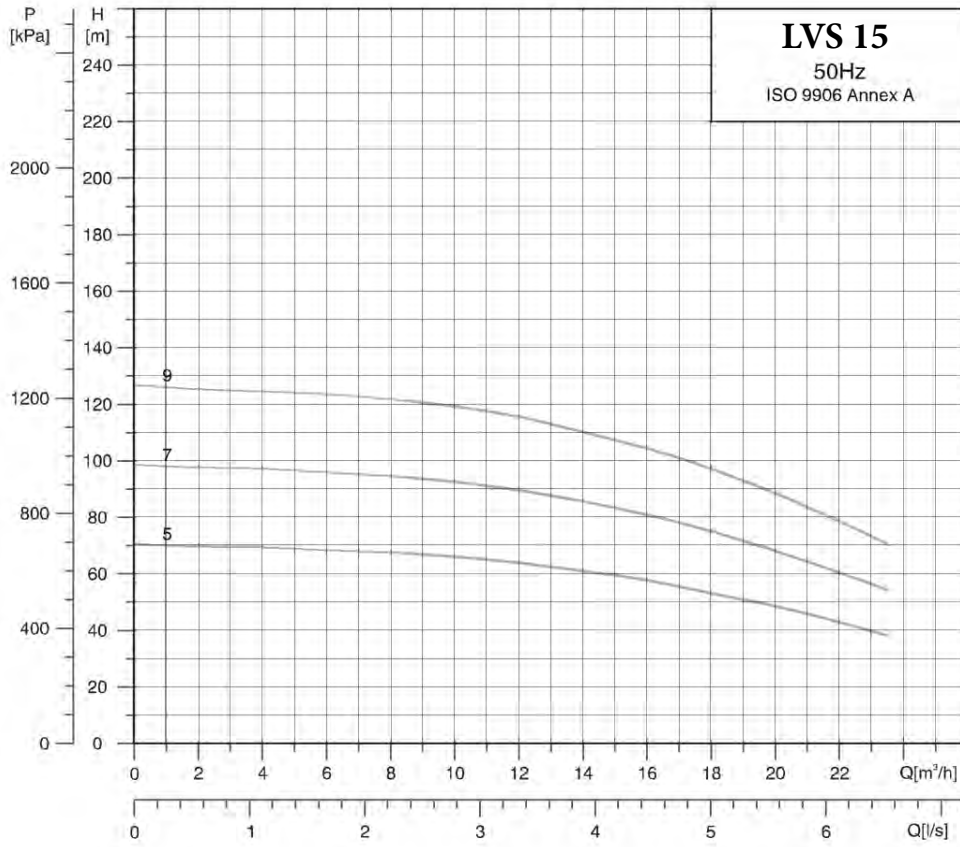


DIN FLANGE(LVS)/F



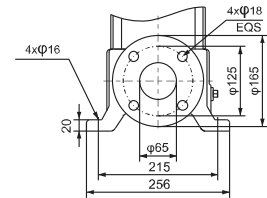
MODEL	DIN FLANGE (LVS)		D1	D2
	B1	B1+B2		
10-6	503	813	175	137
10-9	598	928	195	151
10-12	688	1045	219	169

MODEL	POWER [kW]	Q [m <sup>3</sup> /h]	3	6	9	12	15	18	21
15-5	4.0	H (m)	70	68	66	64	60	53	48
15-7	5.5		98	96	94	89	84	75	65
15-9	7.5		125	123	120	115	108	97	84

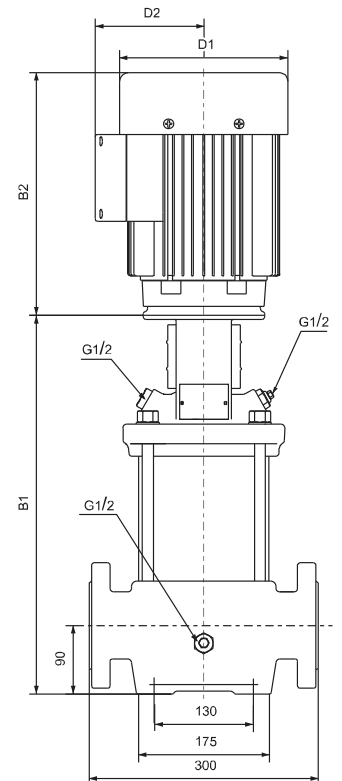
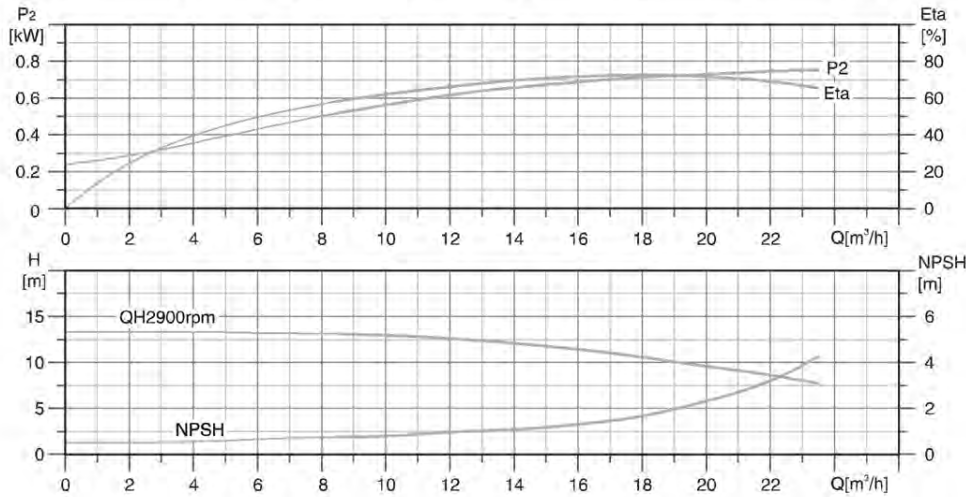


DIN FLANGE(LVS)/F

PN 16-25/DN 50



DIN FLANGE(LVR)/F



MODEL	DIN FLANGE (LVS)		D1	D2
	B1	B1+B2		
15-5	553	910	219	169
15-7	675	1073	258	188
15-9	765	1163	258	188