

ALMATEC®

Expert
Solutions
for Critical
Applications

BRAND
Portfolio

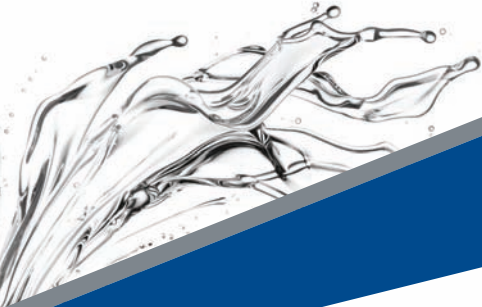


Where Innovation Flows

AIR-OPERATED DOUBLE-DIAPHRAGM PUMPS


a **DOVER** company

almatec.de

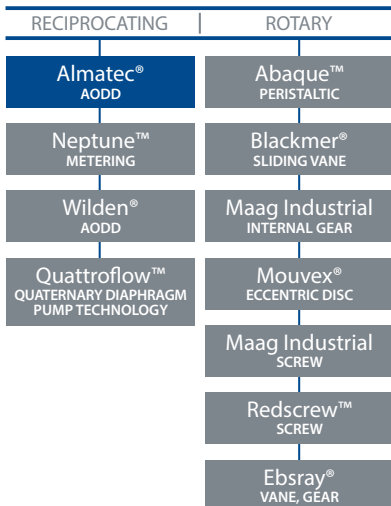


PSG®, a Dover company, is a global leader in positive displacement pump and supporting technologies, delivers value-added pumps and systems that serve customers requiring the safe and efficient transfer of critical and valuable materials. PSG features world-class pump brands and has multiple facilities on three continents (North America, Europe and Asia) that are ISO certified. We are passionately committed to innovative technologies that will positively impact the world. Our priority is providing the market expertise you need by delivering tomorrow's innovative fluid and material transfer solutions today.



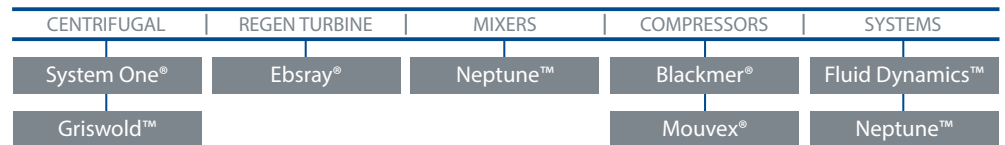
Where Innovation Flows

POSITIVE DISPLACEMENT PUMPS



PSG® Technologies:

PUMPS & SYSTEMS TECHNOLOGIES



ALMATEC®

Almatec® Maschinenbau GmbH is a premier manufacturer of air-operated double-diaphragm (AODD) pumps. Since 1984, Almatec has been the respected leader in the field of pneumatic diaphragm pumps worldwide due to superior product quality and unmatched German innovation. Almatec® is a brand within PSG, a Dover Company – located in Oakbrook Terrace, IL, USA.

Who We Are

AIR-OPERATED
DOUBLE-DIAPHRAGM
PUMPS



Kamp-Lintfort Germany – Almatec’s headquarters is located in Kamp-Lintfort, Germany. The spacious, state-of-the-art facility offers clean room capability. Recently we expanded our manufacturing capacity and production area to meet global demand and to support our R&D efforts.

Where Innovation Flows

Almatec’s philosophy is to invest in our intellectual capital and increase product quality while respecting all aspects of the environment. Almatec is committed to innovation by developing new concepts, using new materials and developing smart fluid transfer solutions that will become the benchmarks of tomorrow.

German Quality Engineering

Almatec’s unique PERSWING P® technology is a precision control Air Distribution System (ADS) that features optimal performance. The metal-free, pneumatically pilot-operated PERSWING P® (ADS) ensures accurate reversal of the main piston and is characterized by low noise levels. Only two moving parts ensure minimal maintenance and lube-free operation.

Almatec plastic pumps feature a solid body construction made out of virgin grade PE or PTFE materials that support the forces generated within a reciprocating pump. The high static mass leads to maximum process fluid containment and eliminates the need for external metal parts that would otherwise be used. The mechanical machining of a solid plastic block is economical thanks to modern CNC technology, enabling tight tolerances and maximum value.

Almatec also feature best-in-class diaphragms that provide a smooth profile that is uninterrupted by any seals, maximizing containment and clean-ability. The diaphragms are designed to simplify assembly, reduce air consumption and optimize performance.

MARKETS SERVED

ENERGY

Almatec is heavily invested in the solar or photovoltaic industry as the world economy increases its focus on renewable energies. The E-Series pump is especially well-suited for use in the manufacture of silicon solar cells (wafers).

Typical Applications Handled:

- Silicon solar cells
- Slurry
- Chemical treatment of wafers
- Hard, sharp silicon particle byproduct from wafer cutting process
- Highly abrasive media

PROCESS

Almatec's pneumatic diaphragm pumps are the pumps the chemical, semiconductor, paint and coatings, and paper and printing industries turn to when they demand safety, quality and reliability for their respective applications. Almatec pumps conform to the ATEX directive, making them suitable for pumping paints and varnishes.

Typical Applications Handled:

- Acids
- Bases
- Solvents
- Sludge
- UV varnishes
- Glues
- Printing inks
- Etching agents
- Emulsions
- High-purity chemicals

HYGIENIC

Almatec's pumps meet the highest standards for sterile processes in the biopharmaceuticals industry, complying with EHEDG, 3A, FDA and USP Class VI standards. Almatec pumps have high surface quality, the ability to trace the materials used and CIP/SIP capabilities.

Typical Applications Handled:

- Active pharmaceutical ingredients
- Biotechnological ingredients
- Cosmetics
- Live cultures
- Food ingredients

WATER/WASTEWATER

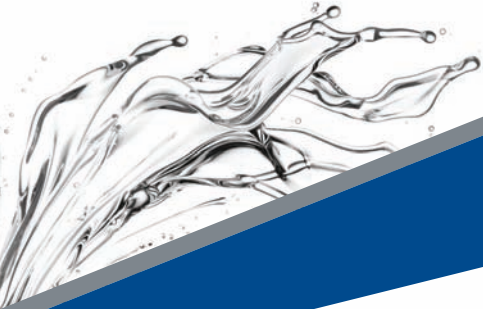
In industrial water treatment applications, Almatec's pneumatic diaphragm pumps are used for taking samples for analysis around the clock, wastewater neutralization and feeding filter presses with sludge. Almatec pumps allow operation over the entire range of flow rates without a risk of overpressure and without any additional regulation.

Typical Applications Handled:

- Chemical handling
- Transfer
- Sludge
- Neutralization







TECHNOLOGY: DIAPHRAGM

E-Series AODD Pumps

The E-Series plastic air-operated double diaphragm (AODD) pump is made of PE, PTFE, PE conductive and PTFE conductive. The conductive models meet the ATEX requirement of the 94/9/EG directive. E-Series pumps are very well suited for use with hazardous chemicals such as acids, caustics and solvents.

Applications

- Abrasive slurries
- Solar cell
- Biopharmaceutical
- Chemicals
- Etching agents
- Ceramic
- Sludge transfer
- Glazes transfer
- Paints
- Varnish
- High concentrated acids and bases
- Grinding and drilling emulsions
- Paper and printing
- Glue transport
- Printing inks transport
- Industrial water treatment
- Sample analysis
- Wastewater neutralization
- Feeding filter presses with sludge
- Chemical treatment of wafers
- Corrosive, hazardous or toxic chemicals

Features and Benefits:

- Machined plastic design
- Increased capacity
- Increased safety
- Decreased air consumption
- Easy cleanability
- Reduced noise level
- Decreased downtime
- Optimized flow pattern
- Increased quality
- Long service life
- Increased reliability
- Used in demanding process applications
- Robust plastic design with reinforcement ring for enhanced sealing and torque retention
- Maintenance-free air distribution system (ADS) PERSWING P®
- Integrated pulsation dampener available—threaded or flanged versions
- Multiple options to meet application requirements

Technical Data:

- Polyethylene (PE) and PTFE models with conductive versions available
- Seven sizes: 6mm (1/4 in.) to 76mm (3 in.)
- NPT liquid outlet, DIN or ANSI flange connections
- Max. temperature: 120°C (248°F)
- Ball or cylinder check valves—interchangeable configuration

Performance Data:

- Max. flow: 800 L/min (210 gpm)
- Max. suction lift: 5m (16.4 ft) dry, 9.5m (31.2 ft) wet
- Max. solids size: 15mm (9/16 in.)

Certifications & Associations:



E-Series
AODD Pump

Inside the E-Series

The housing parts are tightened to each other via housing bolts. Instead of single bolts pressing punctually against the housing, all housing bolts are tightened against a diaphragm-sized containment ring on each side. This structure results in a more even spreading of the housing bolt force and increased permissible bolt torque.

The flow resistance is reduced via an optimized flow pattern to increase the efficiency factor of the pump. Compared to its predecessor, the A Series, the same air flow achieves a high fluid flow, while less air flow is required from the same fluid flow.

Machined for Precision

Almatec's solid plastic block increases the pump's strength and life cycle while eliminating many maintenance concerns. The E-Series' CNC machined solid block of PTFE or PE allows Almatec to deal with the harshest environments. The E-Series solid plastic block construction is mechanically machined rather than injection molded, as is the case with many of its competitors. The CNC technology enables tight tolerances, along with reduced vibration, less risk of leakage, and greater stability and durability. The high static mass leads to smooth operation with reduced vibration.

Materials

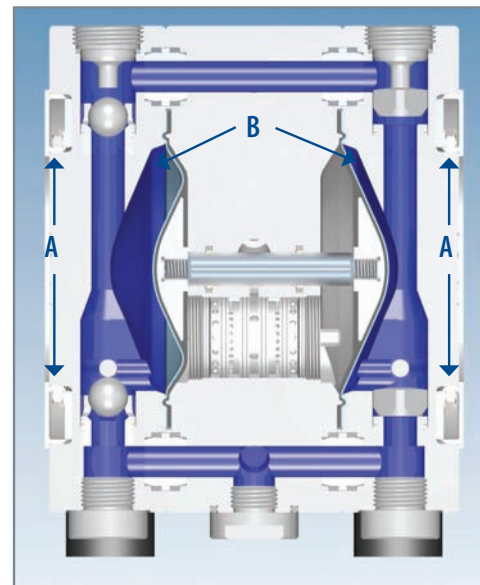
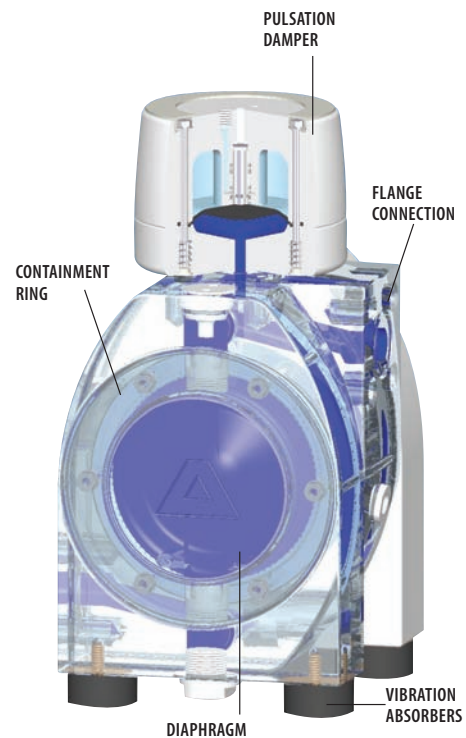
For the E-Series pumps, the following materials are available:

- **Housing:** PE, PE conductive, PTFE, and PTFE conductive
- **Diaphragms:** EPDM, PTFE/EPDM, PTFE conductive/EPDM, NBR
- **Ball valves:** EPDM, PTFE, NBR, stainless steel
- **Cylinder valves:** PTFE

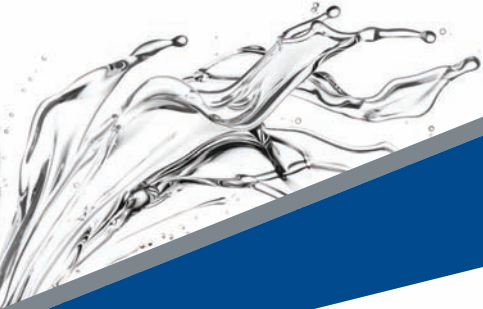
Sizes

The E-Series is available in seven pump sizes to achieve the maximum capacities:

- **E08:** 0.9 m³/h, 15 L/min, 4 gpm
- **E10:** 1.4 m³/h, 23 L/min, 6 gpm
- **E15:** 3.4 m³/h, 55 L/min, 15 gpm
- **E25:** 8 m³/h, 130 L/min, 35 gpm
- **E40:** 20 m³/h, 330 L/min, 88 gpm
- **E50:** 36 m³/h, 600 L/min, 160 gpm
- **E80:** 48 m³/h, 800 L/min, 210 gpm



AODD pumps offer superior containment due to the fact that they don't use mechanical seals and packing. In the Almatec pump illustration shown above, the stainless steel Containment Ring (A) clamps tightly on two sides of the pump housing, pulling it together over the smooth, integrated metal core diaphragm (B), which further increases safety and ensures a tight seal.



TECHNOLOGY: DIAPHRAGM

FUTUR Series AODD Pumps

Since 1991, Almatec has manufactured FUTUR pneumatic diaphragm pumps, which are designed specifically for chemical supply and circulation in the semiconductor industry. The liquids handled in the semiconductor industry have different demands, requiring a unique pump to meet those demands.

Applications

- Semiconductor
- High-purity chemicals
- High-temperature applications

Features and Benefits:

- Designed especially for the semiconductor industry
- 100% metal free plastic pumps
- No O-ring sealing in wetted areas
- Flow-through design
- No metal fixing elements, such as tie rods or clamps
- Integrated pulsation dampener available
- Assembled in cleanroom
- Low noise levels
- Easy to assemble and disassemble
- Compact
- No metal fixing elements, such as tie rods or clamp

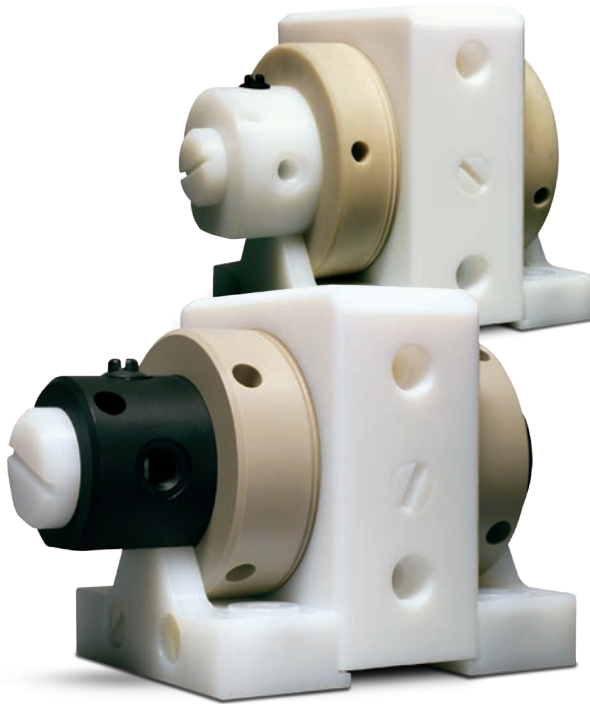
Technical Data:

- Machined plastic design, polyethylene (PE) and PTFE
- Optimized PTFE diaphragm technology
- Four sizes: 10mm (3/8 in.) to 32mm (1-1/4 in.)
- NPT ports
- Max. temperature: 200° C (390° F)
- Accurate fluid transfer

Performance Data:

- Max. flow: 100 L/min (26 gpm)
- Max. suction lift: 4m (13.1 ft) dry, 9m (29.5 ft) wet

Certifications & Associations:



FUTUR Series
AODD Pump



Inside the FUTUR Series

In order to meet the strict demands of the semiconductor industry, the FUTUR Series is available in four materials:

- Four sizes made of PTFE/UPPE for acids and caustics up to 130°C/266°F (FUTUR T Model)
- Two sizes made of PTFE for hot applications with acids and caustics up to 200°C/390°F (FUTUR H Model)
- Four sizes made of UPPE for slurries (FUTUR E Model)
- Two sizes made of stainless steel for solvents (FUTUR SLS Model)

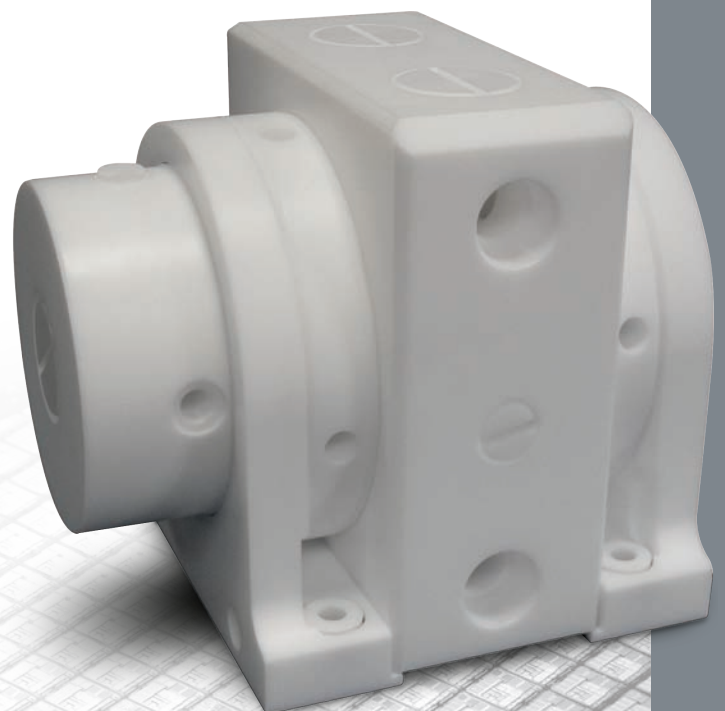
The pump sizes achieve maximum capacities between 10 and 200 L/min (2.5 to 52 gpm). For every pump size and material, an appropriate pulsation dampener is available.

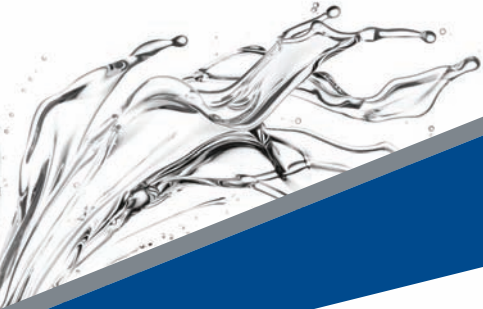
All FUTUR pumps are self-priming pneumatic diaphragm pumps which can run dry.

They have a compact, simple design with few parts only. The housing parts are machined from solid blocks. FUTUR pumps are cleaned, assembled and tested in a cleanroom line.

The latest generation of FUTUR pumps is the FUTUR-Omega Series:

- Entirely made of PTFE
- New construction with Ω -shaped base frame
- Diaphragm and center housing with rotation prevention
- New PTFE material for the diaphragms
- Three sizes with maximum capacities of 20, 50 and 100 L/min (5.3, 13 and 26 gpm)
- Depending on the application, also available made entirely of polyethylene and stainless steel





BIOCOR Series
AODD Pump

TECHNOLOGY: DIAPHRAGM

BIOCOR Series AODD Pumps

BIOCOR pumps are specially designed for sterile applications within the pharmaceutical, biotechnical and food industry. The air-operated double diaphragm pumps are built in compliance with the corresponding hygienics standards (EHEDG, FDA, USP Class VI). The pump's special design with an integrated cleaning system enables CIP and SIP capability.

Applications

- Chemicals
- Cosmetics
- Perishable products requiring cleanability
- Live cultures
- Active pharmaceutical and biotechnical ingredients

Features and Benefits:

- Designed for high-end sanitary / hygienic applications
- Sterile design for maximum cleanability
- Can be drained without disassembly
- Designed for superior product containment
- Clean in Place (CIP) and Sterilize in Place (SIP) capabilities
- Improved safety
- Increased reliability
- High surface quality
- High traceability

Technical Data:

- Wetted components: 316L (Based Standard II) center housing polyethylene conductive
- Surface finish: Ra 0.4 μm (15 $\mu\text{-in.}$)
- Three sizes: 25mm (1 in.) to 51 mm (2 in.)
- Liquid connections compatible with different sanitary threads
- Valve balls with metal cores

Performance Data:

- Max. flow: 280 L/min (73 gpm)
- Max. suction lift: 3m (9.8 ft) dry, 9m (29.5 ft) wet
- Max. solids size: 9mm (3/8 in.)

Certifications & Associations:



Inside the BIOCOR Series

The AODD pumps are EHEDG certified and conform to the ATEX 94/9/EG directive. There aren't any horizontal areas in the housing parts – an important demand for sterile applications. The pump sizes B20 and B32 come with four ball lifting magnets, which can be attached to the pump housing from the outside at the location of the four ball valves. The ball valves rise up magnetically out of their seats and the pump is drained entirely without having to be dismantled therefore, there are no mechanical ball lifters with parts and seals in the wetted areas.

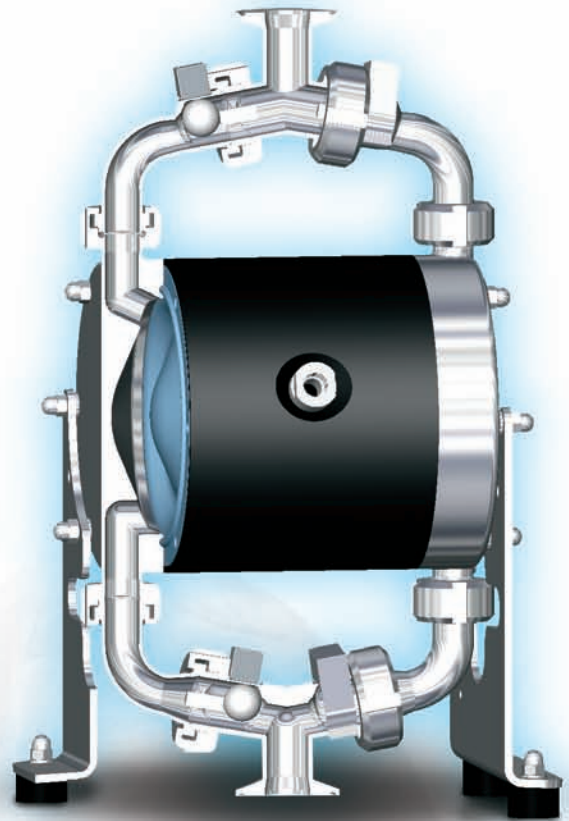
The BIOCOR series is available in three pump sizes B20, B32 and B40. The material for the wetted housing parts is electropolished SS 316 L (Basel Standard II, ferrite content < 1%) with a surface roughness of $\leq 0.4 \mu\text{m}$. The center block is made of polyethylene conductive and the suction and discharge ports are suitable for Tri-clamp or different sanitary threads (Naue, Neumo, DIN 11851, DIN 11864). Diaphragms, ball valves and O-rings are made of PTFE or EPDM (FDA); other materials on request.

Pump Models:

B20: Max capacities of $3.5 \text{ m}^3/\text{h}$ (15.4 gpm)

B32: Max capacities of $7.5 \text{ m}^3/\text{h}$ (33 gpm)

B40: Max capacities of $17 \text{ m}^3/\text{h}$ (75 gpm)





CHEMICOR Series
AODD Pump



TECHNOLOGY: DIAPHRAGM

CHEMICOR Series AODD Pumps

The metal pneumatic diaphragm pumps feature soft contours, smooth flow channels and no dead spaces. CHEMICOR pumps contain a center block made of nylon or PE conductive material which meets the ATEX requirements of the 94/9/EG directive.

Applications

- Chemicals
- Industrial water treatment
- Corrosive, hazardous or toxic chemicals
- Sample analysis
- Paints
- Wastewater neutralization
- Varnish
- Paper and printing
- Glue transport
- Printing inks transport
- Food Processing

Features and Benefits:

- Designed for heavy-duty process applications
- Soft contours, smooth flow channels, no dead spaces
- Rotating inlet and discharge parts
- Insensitive to solids
- Decreased downtime
- Easy start-up
- Improved safety
- Increased reliability
- Easy cleanability

Technical Data:

- Stainless steel precision castings
- Non-wetted center section – Nylon or conductive polyethylene (PE)
- Three sizes: 19mm (3/4 in.) to 51mm (2 in.)
- BSP or NPT liquid outlet connections
- Max. temperature: 130°C (266°F)
- Valve balls for handling solids

Performance Data:

- Max. flow: 400 L/min (105 gpm)
- Max. suction lift: 3m (9.8 ft) dry, 9m (29.5 ft) wet
- Max. solids size: 14mm (9/16 in.)

Certifications & Associations:





TECHNOLOGY: DIAPHRAGM

AH Series AODD Pumps

High-pressure plastic diaphragm pumps are designed for charging filter presses with chemical wastes and special sludge. All housing parts in contact with the product are made of PE UHMW, which is seven times more resistant to abrasion than PP, and is more resistant to wear than aluminum, iron or steel. The self-priming pump does not possess any drives, rotating parts or shaft seals.

Applications

- Feeding filter presses with sludge
- High-pressure chemical feed
- Grinding and drilling emulsions
- Pressure boost
- Paints
- Coating facilities

Features and Benefits:

- Eliminates risk of overpressure
- Running dry capability
- Self-priming
- Automatically adjusts pressure/quantity
- Decreased downtime

Technical Data:

- Wetted housing parts in solid design made of polyethylene
- Non-wetted center section made of Nylon
- Max. temperature: 70°C (158°F)
- Interchangeable ball valves and valve stops
- Heavy duty diaphragms for long service life
- 3 sizes with discharge pressure up to 15 bar (218 psig)

Performance Data:

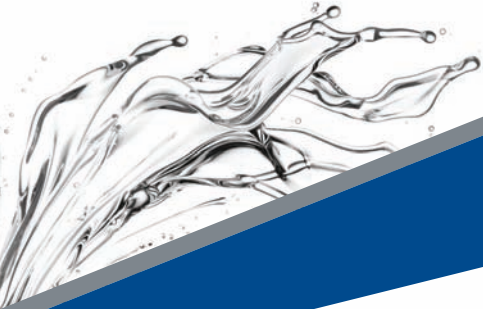
- Max. flow: 330 L/min (87 gpm)
- Max. suction lift: 3.5m (11.5 ft) dry, 9.5m (31.2ft)
- Max. solids size: 8mm (0.3 in.)

Certifications & Associations:



AH Series
AODD Pump





CXM Series
AODD Pump

TECHNOLOGY: DIAPHRAGM

CXM Series AODD Pumps

CXM Series air-operated double-diaphragm pumps are widely used as universal pumps in the low to middle performance range. Thanks to the modular design the CXM Series are available in four sizes with NPT and three sizes with BSP connections. This wide range of product connections allows precise adjustment of the pump to the specific application. All housing bolts are tightened together against a diaphragm-sized ring on the side housings resulting in a consistent flow of forces and an increased bolt torque — ultimately increasing pump safety.

Applications

- Universal pumps for low to middle performance ranges
- Used to empty containers of virtually all fluid
- Neutralization
- Glue transport
- Cleaning agents

Features & Benefits

- Wide range of connections
- High pump safety due to ring-tightening structure
- Self-priming
- Can run dry
- Easy to start
- Easily maintained
- Machined from solid blocks

Technical Data

- Housings made of solid PE conductive
- Seven models: 10mm (3/8 in.) to 38mm (1-1/2 in.)
- NPT and BSP liquid outlet
- Max. temperature: 70°C (158°F)
- Ball or cylinder valves

Performance Data

- Max. flow: 135 L/min (35 gpm)
- Max. suction lift: 4.5m (14.8 ft) dry, 9m (29.5 ft) wet
- Max. solids size: 4mm (0.16 in.)

Certifications & Associations:



Options



Barrier Chamber System

With the barrier chamber system, the individual diaphragm is replaced by two diaphragms arranged in tandem with a barrier chamber of conductive PE between them and filled with non-conductive liquid. A change in conductivity of the barrier liquid is detected by sensors and signaled to a controller, which triggers an alarm or disconnects the pump, meeting high safety requirements.

Diaphragm Monitoring

A capacitive sensor installed in the pump muffler detects the presence of all liquids. If the diaphragm ruptures, it outputs a corresponding signal to a controller which triggers an alarm or disconnects the pump via a connected solenoid valve.



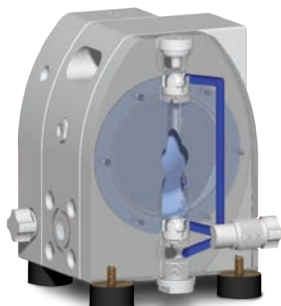
Pulsation Dampers

Pulsation dampers are available if a virtually uniform flow is needed. The E-Series pumps can be equipped with screwed-on or flanged pulsations dampers, while the CHEMICOR and BIOCOR pump series are available with an inline pulsation damper.



Draining System

The E-Series pumps, available in sizes 15 to 50, are available with Almatec's special draining system. This unit consists of a by-pass system in the side housings that can be activated easily either via hand-operated valves or pneumatically. The pump and piping can then be drained without having to be dismantled. The amount of cleaning agent and solvent required when changing products is reduced considerably, greatly reducing environmental pollution. For the metal series CHEMICOR pumps, offer another solution. Ball lifters, which are turnable by hand, are fitted to the four ball valves. By turning the handles the ball valves are lifted out of their seats.



Transport Carts

Many industrial applications not only need stationary air-operated double diaphragm pumps, but mobile pumping units as well. This includes pumps that are designed for use as emergency pump, as short-dated replacement for a pump to be repaired or for decanting between two containers. For these purposes a transport cart is available.



Stroke Counting

Almatec air-operated double diaphragm pumps can be used continuously or intermittently for hours, minutes or for an exact defined number of strokes. A sensor can be installed in the pump's center housing to accurately count the strokes. This is available in a pneumatic version as well.

Flange Connection

All E-Series pump sizes—from E 15 to E 80 – can be equipped with thread bushings and flange O-rings for flange connections to DIN or ANSI / PN 10. For the AH Series, a flange connection to DIN or ANSI/PN 16 is standard.



Where Innovation Flows

ALMATEC[®]

Almatec Maschinenbau GmbH
Carl-Friedrich-Gauß-Straße 5
47475 Kamp-Lintfort, Germany
T: +49 (0) 2842/961-0
F: +49 (0) 2842/961-40
info@almatec.de
almatec.de

PSG[®] reserves the right to modify the information and illustrations contained in this document without prior notice. This is a non-contractual document. 08-2016

Authorized PSG Partner: