

Rannie 55 / Gaulin 55

Introduction

The Rannie 55 / Gaulin 55 homogeniser, a positive displacement triplex, reciprocating plunger pump, is fitted with an application-specific homogenising valve assembly: single-stage with hydraulic actuation.

The Rannie 55 / Gaulin 55 homogeniser incorporates a durable slow-speed power end that reduces vibration and noise. Easy access to the hydraulic actuation system, lubrication oil and other auxiliary systems simplifies maintenance saving time and money. Liquid end options include a three-piece valve housing (Rannie) and a mono-block design (Gaulin) (ball and poppet style).

Design features of both the Rannie and Gaulin simplify routine maintenance. Materials for plungers, packings, pump valves, valve seats and seals are custom-selected for your application. APV engineers will work with you to optimise the configuration for your specific application.



RANNIE THREE-PIECE
VALVE HOUSING



GAULIN MONO-BLOCK
DESIGN



STANDARD OPTIONS

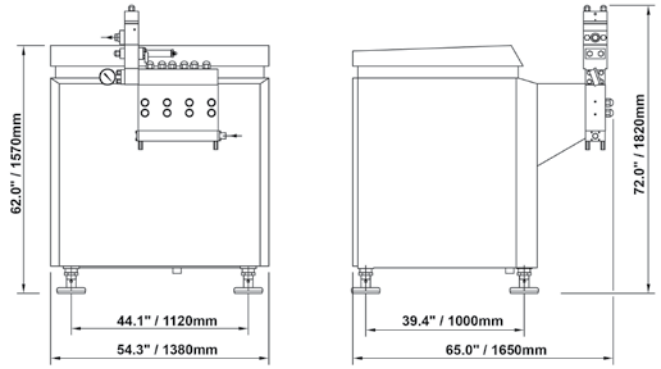
- Two-stage hydraulic valve actuation (HVA)
- Single-stage automatic hydraulic system (AHS)
- Two-stage automatic hydraulic system (AHS)
- Pulsation dampener(s) on inlet and outlet
- Aseptic cylinder design
- Electronic pressure transmitter excl. display
- High-pressure outlet
- Inlet pressure gauge
- Plunger lubrication control package
- Micro-Gap homogenising valve
- Tungsten carbide homogenising valve
- Square plunger seals and ceramic plungers (Rannie valve housing only)
- External cooling fan/main motor
- Motor starter
- Control cabinet, stainless steel
- Thermostat/oil temperature

SPECIAL OPTIONS

- Acid-proof cylinder (Gaulin valve housing only)
- Ceramic plungers with U- or V-rings
- Explosion-proof design
- Electropolished wettables
- High-temperature design
- Flow switch - power end cooling
- UFO - Unit for Filtration of Oil

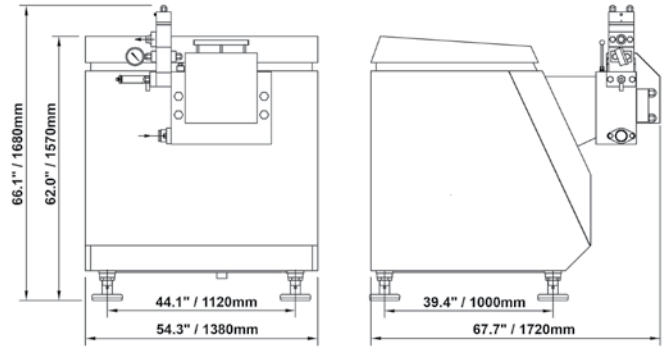
**RANNIE/THREE-PIECE VALVE HO USING
POPPET AND BALL TYPE VALVES**

| TYPE | US MAX. CAP./MAX. PRESS. | | METRIC MAX. CAP./MAX. PRESS. | |
|-------|-----------------------------|-------|---------------------------------|------|
| | GPH | PSI | LPH | BAR |
| 70.95 | 3300 | 2175 | 12500 | 150 |
| 60.95 | 2380 | 2900 | 9000 | 200 |
| 54.95 | 1980 | 3625 | 7500 | 250 |
| 50.95 | 1660 | 4300 | 6300 | 300 |
| 42.95 | 1160 | 5800 | 4400 | 400 |
| 35.95 | 770 | 8700 | 2900 | 600 |
| 30.95 | 555 | 11600 | 2100 | 800 |
| 25.95 | 370 | 14500 | 1400 | 1000 |
| 22.95 | 210 | 17400 | 800 | 1200 |
| 20.95 | 160 | 21750 | 600 | 1500 |



GAULIN/MONO-BLOCK DESIGN

| TYPE | US MAX. CAP./MAX. PRESS. | | METRIC MAX. CAP./MAX. PRESS. | |
|---------------------------|-----------------------------|------|---------------------------------|-----|
| | GPH | PSI | LPH | BAR |
| POPPET TYPE VALVES | | | | |
| 1.5 | 4230 | 1500 | 16000 | 100 |
| 2.5 | 2775 | 2500 | 10500 | 170 |
| 3.0 | 2380 | 3000 | 9000 | 210 |
| 4.3 | 1640 | 4300 | 6200 | 300 |
| 5.8 | 1160 | 5800 | 4400 | 400 |
| BALL TYPE VALVES | | | | |
| 1.5 | 3620 | 1500 | 13700 | 100 |
| 2.5 | 2380 | 2500 | 9000 | 170 |
| 3.0 | 2035 | 3000 | 7700 | 210 |
| 4.3 | 1400 | 4300 | 5300 | 300 |
| 5.8 | 990 | 5800 | 3750 | 400 |
| 8.7 | 685 | 8700 | 2600 | 600 |



DIMENSIONS (SINGLE STAGE)

| DIMENSIONS PACKED IN A CRATE LXWXH (IN.) | DIMENSIONS PACKED IN A CRATE LXWXH (CM) | CUBIC MEASURE M3 | GROSS WEIGHT IN A CRATE INCL. MOTOR |
|---|--|------------------------|---|
| 75.6 X 66 X 84.4 | 189 X 165 X 211 | 6.6 | 5,732 LB./2,600 KG |

