

Rannie 125T / Gaulin 125T



The APV 125T homogeniser is a three-plunger, reciprocating pump, fitted with a single-stage homogenising valve (two-stage optional) with manually adjustable hydraulic actuators.

The APV 125T incorporates a durable slow-speed Power End in a low and compact design, mounted on a concrete sub-frame that reduces vibrations and noise.

One point of control and direct visibility to all internal and external indicators, combined with easy access to all service areas, saves time and money by simplifying inspection and reducing maintenance to a minimum.

The more modular and flexible design of the APV 125T makes it suitable for a wide range of applications and valve types. Homogenising valves can easily be changed in order to accommodate different types of product and/or capacities on the same homogeniser.

Liquid End options include the Rannie three-piece valve housing and the Gaulin mono-block design, both available with a choice of valves, plungers, and packings according to your requirements.

Design features of Rannie, Gaulin, and the new Power End simplify routine maintenance with emphasis on reliability and sturdiness in order to reduce total costs of ownership.

APV Homogeniser 125T

THE LIQUID END INCLUDES

- Pressure gauge
- Pressure relief valve
- Weld-stub product connections

THE POWER END INCLUDES

- Internal gear and self-adjusting belt tightening
- External plate heat exchanger with temperature transmitter

THE INSTRUMENTATION INCLUDES

- All equipment wired to stainless steel control cabinet (IP69K)
- Emergency stop

STANDARD OPTIONS

- Start/stop buttons
- 2nd stage homogenising valve with hydraulic or manual actuation
- Potentiometer-controlled electrical valves for hydraulic actuators
- Remote Kit including 4-20mA output for product pressure, controllers for automatic pressure control and oil-filter alarm switch
- Plunger lubrication control package including flow switch and solenoid valve
- Inlet pressure gauge with low pressure switch
- Aseptic cylinder design
- High-pressure outlet connections
- Pulsation dampener(s): inlet and outlet
- Micro-Gap homogenising valve for increased homogenising efficiency
- Motor starter
- Low-noise insulation of Power End and extension for Liquid End as add-on kit
- Ventilators for very hot environments
- Plungers in ceramics
- Choice of materials for cylinder block, pump valves, homogenising valves, packings, etc.



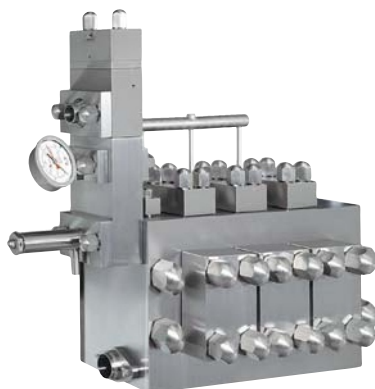
Innovative APV Homogeniser

RANNIE / THREE-PIECE VALVE HOUSING MAX. CAPACITY/PRESSURE - POPPET OR BALL VALVES					
MODEL	TYPE	CAP. L/H	CAP. G/H	PRESS. BAR	PRESS PSI
RANNIE 125	T40	3,000	793	1,000	14,500
RANNIE 125	T45	4,500	1,057	800	11,600
RANNIE 125	T50	6,000	1,585	600	8,700
RANNIE 125	T60	9,000	2,377	400	5,800
RANNIE 125	T70	12,000	3,170	300	4,350
RANNIE 125	T80	16,000	4,226	250	3,626
RANNIE 125	T85	18,000	4,755	210	3,045
RANNIE 125	T90	21,000	5,548	200	2,900



RANNIE THREE-PIECE VALVEHOUSING

GAULIN / MONO-BLOCK VALVE HOUSING MAX. CAPACITY/PRESSURE - POPPET OR BALL VALVES					
MODEL	TYPE	CAP. L/H	CAP. G/H	PRESS. BAR	PRESS. PSI
GAULIN 125	T50	6,000	1,585	600	8,700
GAULIN 125	T60	9,000	2,377	400	5,800
GAULIN 125	T70	12,000	3,170	300	4,350
GAULIN 125	T80	16,000	4,226	250	3,626
GAULIN 125	T85	18,000	4,755	210	3,045
GAULIN 125	T90	21,000	5,548	200	2,900



GAULIN MONO-BLOCK VALVE HOUSING

ONE POINT OF OPERATION

- Gauges with capillary tubes placed directly above the controls.
- Direct visibility to points of control.
- All internal indicators placed behind a window pane.



OVERSIZED PLATE HEAT EXCHANGER

for low cooling water consumption



EXTERNAL PLATE HEAT EXCHANGER

with solenoid valve control to reduce water consumption

MECHANICAL HYDRAULIC VALVES as standard

ELECTRICAL CONNECTION BOX to be serviced from the outside



DOUBLE-SIZED 5 MM ABSOLUTE FILTER

with filter service-indicator for improved life of oil

OPTIONAL EXTENSION for noise reduction of Liquid End

CONCRETE SUB-FRAME

- Noise reduction
- Vibration dampening
- Better stability



INCREASED MODULARITY OF LIQUID END

- Interchangeable valve types (XFD, SEO, LW)
- Interchangeable valve sizes



EASY SERVICE ACCESS (KEY & SNAP LOCK FASTENERS)

BALANCED LOW SPEED CRANKSHAFT FOR REDUCED NOISE

INCREASED RELIABILITY / REDUCED SERVICE REQUIREMENT

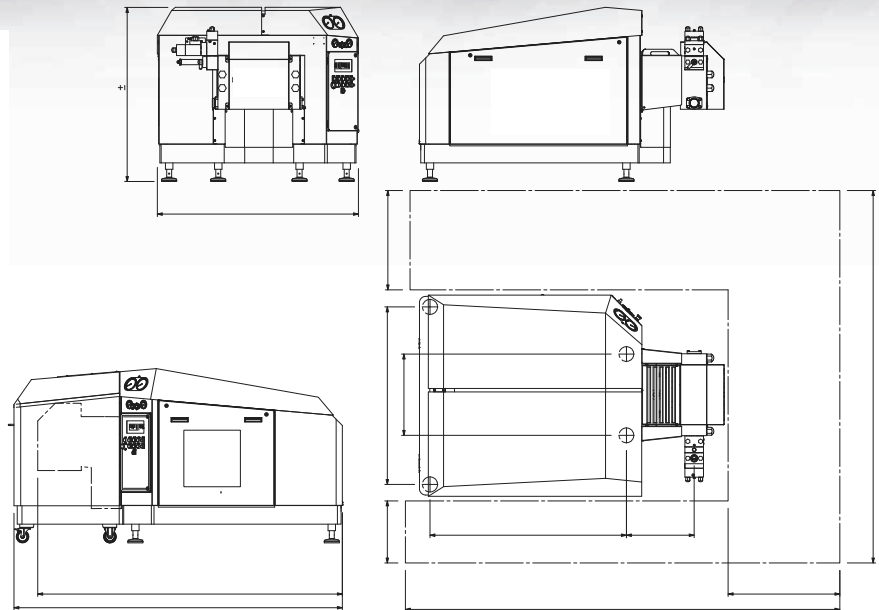
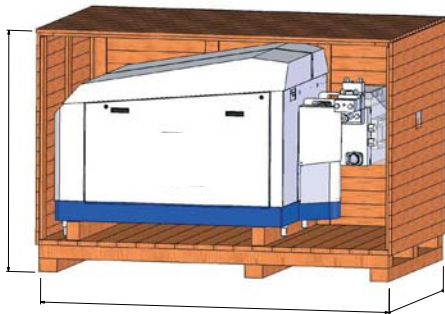
- Internal gear-unit
- Relief valve as standard
- Self-adjusting belt tightening

Rannie 125T

Gaulin 125T



Dimensions



DIMENSIONS	LENGTH	WIDTH	HEIGHT	WEIGHT (INCL. MOTOR)
STANDARD MACHINE	2450 MM / 97"	1620 MM / 64"	1450 MM / 57"	4700 KGS / 10360 LBS
INCL. EXTENSION	2650 MM / 105"	1620 MM / 64"	1450 MM / 57"	+ 350 KGS / 772 LBS
PACKED IN CRATE	2750 MM / 106"	1750 MM / 67"	1825 MM / 71"	+ 380 KGS / 838 LBS

CUBIC MEASURE OF CRATING: 8,3 M3



London 0208 579 2111 - Huddersfield 01484 543 649 - Aberdeen 01224 729 367 - Durham 01325 327 322

email apv@axflow.co.uk www.axflow.co.uk