

BLACKMER PARTS LIST

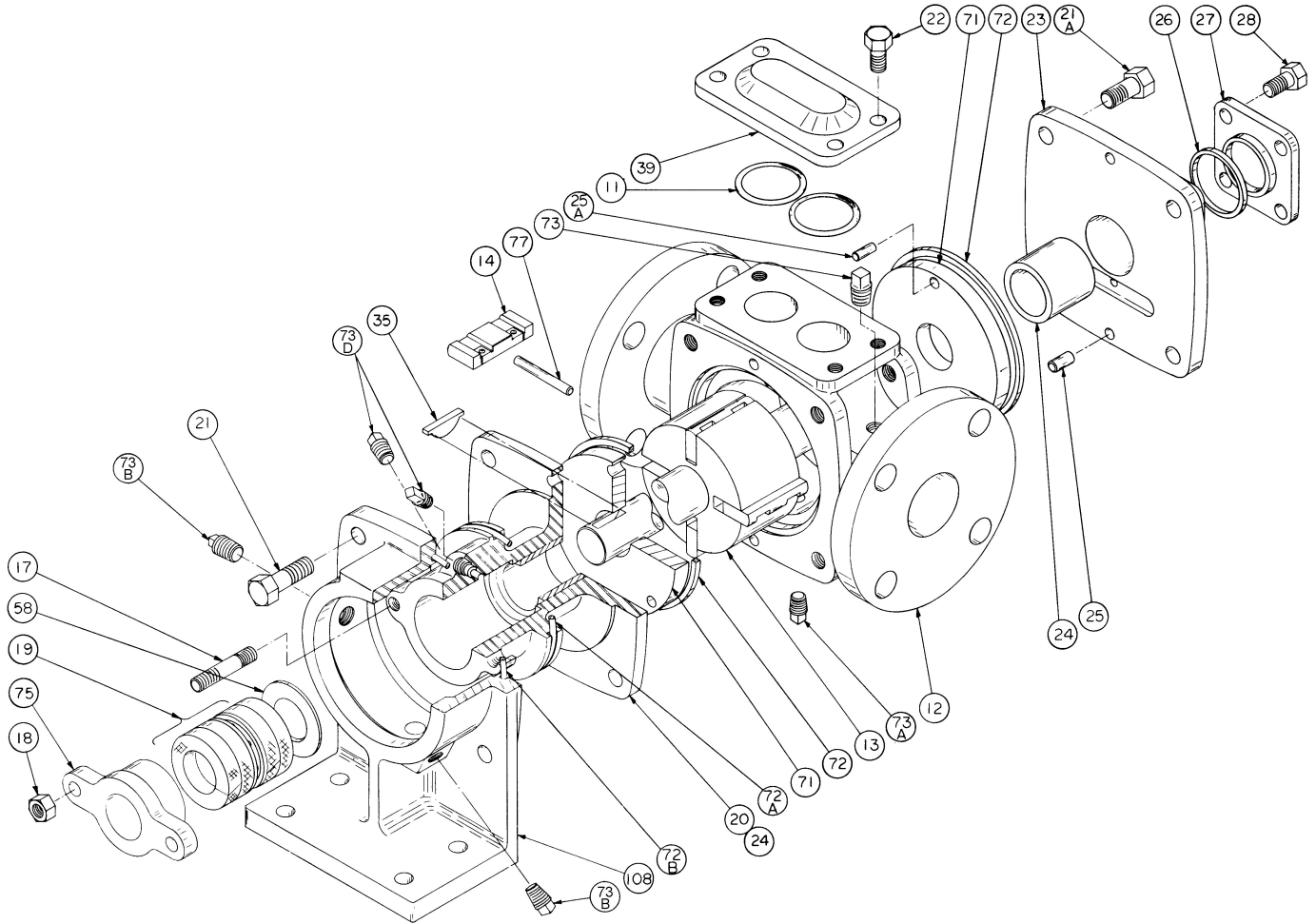
PUMP MODELS: SNP1.25, SNP1.5

SNPJ1.25*, SNPJ1.5*

Keep with Instructions 104-A00 for Installation, Operation and Maintenance

960256 **PARTS LIST**
Page 1 of 2 **104-A01**

Section 104
Effective Jul 2019
Replaces Jan 2012



Ref. No.	Description	Parts per Pump	Part No.	Ref. No.	Description	Parts per Pump	Part No.
11	Seal Ring – Blanking Plate	2	¹ 711956	71	Disc	2	² 063103
12	Cylinder (1.25" pumps)	1	023101	72	Seal Ring – Head	2	¹ 711955
	Cylinder (1.5" pumps)		023111	72A	O-Ring – Inboard Head (w/ jacket)	1	¹ 711959
13	Rotor & Shaft	1	² 263101	72B	O-Ring – Jacket (w/ jacket)	1	¹ 701991
14	Vane – Duravane	4	¹ 093107	73	Gage Plug (1/4")	2	908193
	Vane – EC Laminate		¹ 093112	73A	Drain Plug (1/8")	1	908183
20	Head & Bushing Asy. – Inboard	1	033103	73B	Jacket Plug (1/4")	2	908193
21	Capscrews – Inboard Head	4	920349	73D	Gland Plug (1/8")	3	908183
21A	Capscrews – Outboard Head	4	920293	77	Push Rod (1.25" pumps)	2	¹ 123101
22	Capscrews – Blanking Plate	4	920129		Push Rod (1.5" pumps)		¹ 123111
23	Head & Bushing Asy. – Outboard	1	033104	108	Mounting Bracket / Jacket	1	833101
24	Bushing (Sleeve Bearing)	2	¹ 161201	—	Kit - Maintenance SNP1.25	—	898944
25	Dowel Pin – Head	4	930564	—	Kit - Maintenance SNP1.25 (jacketed)	—	898985
25A	Dowel Pin – Disc	2	930565	—	Kit - Maintenance SNP1.5	—	898945
26	Seal Ring – Bearing Cover	1	¹ 711957	—	Kit - Maintenance SNP1.5 (jacketed)	—	898986
27	Bearing Cover	1	043101	—	Kit - Rebuild SNP1.25	—	899044
28	Capscrews – Bearing Cover	4	920129	—	Kit - Rebuild SNP1.25 (jacketed)	—	899085
35	Key – Shaft	1	¹ 909125	—	Kit - Rebuild SNP1.5	—	899045
39	Plate – Blanking	1	493101	—	Kit - Rebuild SNP1.5 (jacketed)	—	899086

¹ Included in Maintenance and Rebuild Kits (Std. kits include Duravanes; jacketed kits include EC Laminate Vanes).

² Included in Rebuild Kit * Effective Jan 2006, jackets are considered an option and no longer change the model number.

SNP1.25 -1.5 – RELIEF VALVE – OPTIONAL

Ref. No.	Part Name	Qty	Part No.
1	Cap – Relief Valve (R/V)	1	413151
2	Adjusting Screw – R/V	1	433101
4	Cover – R/V	1	413101
5	Capscrews – R/V Cover	4	920129
6	Body – R/V	1	403101
7	Spring Guide – R/V	1	423101
8	Spring – R/V (25-50 psi)	1	471417
	Spring – R/V (51-75 psi)		471418
	Spring – R/V (76-100 psi)		471427
	Spring – R/V (101-150 psi)		471429
9	Valve – R/V	1	453101
10	Seal Ring – R/V Cover	1	711958
22	Capscrews – R/V Body	4	920129
29	Plug (1")	0-1	908229
29A	Plug (3/4") (External By-Pass)	0-1	908224
88	Gasket – R/V Cap	1	533101

SNP1.25 -1.5 – SHAFT PACKING – STANDARD

Ref. No.	Part Name	Qty	Part No.
17	Stud – Packing Follower	2	921369
18	Locknut – Packing Follower Stud	2	922821
19	Packing Set (5 Rings – Std.)	1	323102
58	Packing Washer	1	353101
75	Packing Follower	1	143101

¹ Included in Maintenance and Rebuild Kits

SNP1.25 -1.5 – MECHANICAL SEAL - OPTIONAL

Ref. No.	Part Name	Qty	Part No.
16	Capscrew – Retainer	2	920227
82	Spacer – Seal	1	373102
126	Retainer – Seal	1	333110
153	Mechanical Seal Assembly – Crane Type 9	1	333104

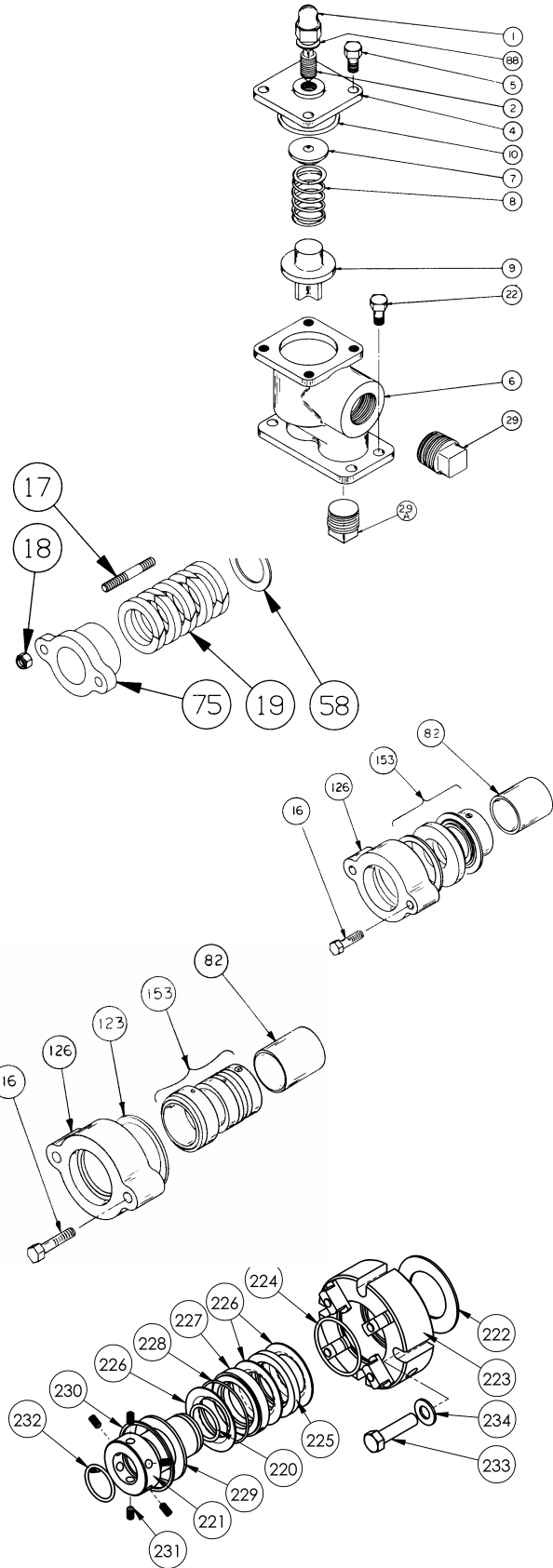
SNP1.25 -1.5 – MECHANICAL SEAL - OPTIONAL

Ref. No.	Part Name	Qty	Part No.
16	Capscrew – Retainer	2	920242
82	Spacer – Seal	1	373102
123	Gasket – Seal Retainer	1	383181
126	Retainer – Seal	1	333111
153	Mechanical Seal Assembly –Durametallc	1	333103

SNP1.25 -1.5 – TRIPLE-LIP CARTRIDGE SEAL - OPTIONAL

Ref. No.	Part Name	Seal	Seal Rebuild Kit
—	TRIPLE-LIP CARTRIDGE SEAL	333114	899100
220	Shaft Sleeve O-Ring	1	X
221	Shaft Sleeve	1	
222	Gasket	1	X
223	Gland Plate Assembly	1	
224	Element O-Ring	1	X
225	Seal Spacer	1	X
226	Seal Element	3	X
227	Flushing Spacer	1	X
228	Flushing Spacer O-Ring	1	X
229	Retaining Ring	1	
230	Snap Ring	1	X
231	Shaft Sleeve Setscrews	6	X
232	Stepped Shaft Sleeve O-Ring	1	X
233	Gland Capscrew	4	
234	Flat Washer	4	

X = Parts included in Seal Rebuild Kit



1809 Century Avenue, Grand Rapids, Michigan 49503-1530, U.S.A.
 Telephone: (616) 241-1611 / Fax: (616) 241-3752
 E-Mail: blackmer@blackmer.com / Internet: www.blackmer.com