

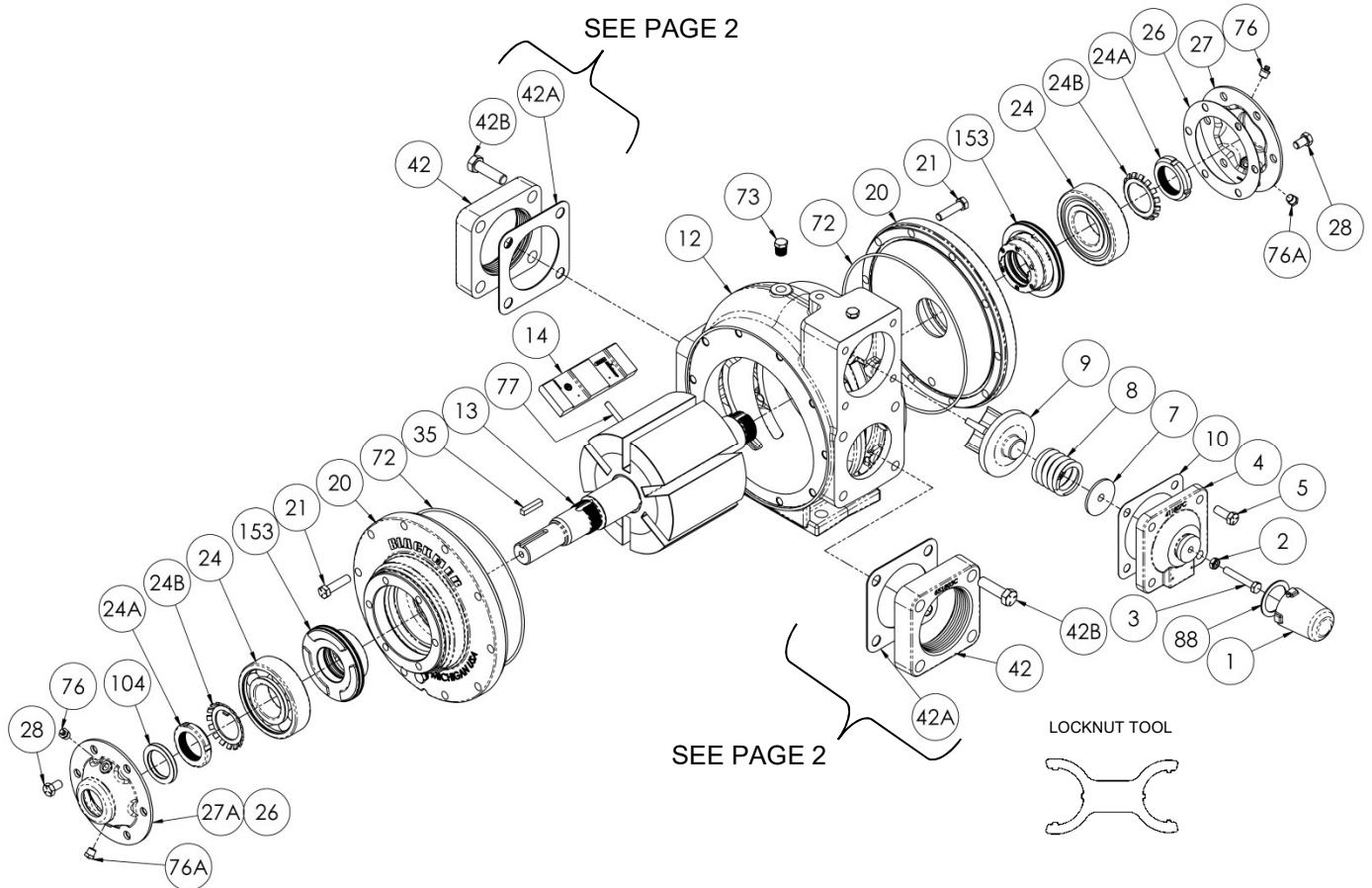
# BLACKMER PARTS LIST

## PUMP MODEL: XH3E

961912      **PARTS LIST**  
Page 1 of 2      **101-B17**

Keep with Instructions 101-B00 for Installation, Operation and Maintenance

Section      101  
Effective      Mar 2019  
Replaces      Oct 2015

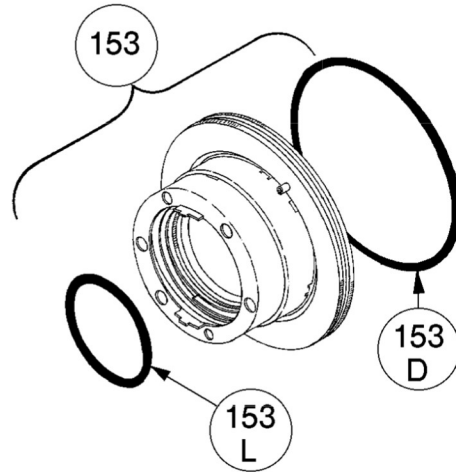


Ref. No.	Description	Parts per Pump	Part No.	Ref. No.	Description	Parts per Pump	Part No.
1	Cap - Relief Valve (R/V)	1	413957	24A	Locknut - Bearing	2	903523
2	Adjusting Screw - R/V	1	431808	24B	Lockwasher - Bearing	2	<sup>1</sup> 903524
3	Locknut - Adjusting Screw	1	922923	26	Gasket - Bearing Cover	2	<sup>1</sup> 385125
4	Cover - R/V	1	411807	27	Bearing Cover - Outboard	1	041817
5	Capscrew - R/V Cover	4	920331	27A	Bearing Cover - Inboard	1	041815
7	Spring Guide - R/V	1	421805	28	Capscrews - Bearing Cover	12	920285
8	Spring - R/V (36-50 psi)	1	471805	35	Key - Shaft, Square	1	<sup>1,2</sup> 909209
	Spring - R/V (51-110 psi)		471806	42	Flange Options	2	See Page 2
	Spring - R/V (111-125 psi)		471809	42A	Gasket		
9	Valve - R/V (Std.)	1	451807	42B	Capscrews		
	Valve - R/V (Nickel Plated)		451808	72	O-Ring - Head (FKM) (Std.)	<sup>1</sup> 702233	
10	Gasket - R/V Cover	1	<sup>1</sup> 531803	72	O-Ring - Head (PTFE)		701944
12	Cylinder	1	021835	73	Gage Plug	2	908198
13	Rotor & Shaft (Includes Ref. Nos. 24A & 24B)	1	261839	76	Grease Fitting	2	317815
				76A	Grease Relief Fitting	2	701992
14	Vane - Duravane (Std.)	6	<sup>1</sup> 091819	77	Push Rod	3	<sup>1</sup> 121807
	Vane - EC Cast Iron		091821	88	Gasket - R/V Cap	1	<sup>1</sup> 533908
	Vane - EC Laminate		091829	104	Grease Seal	1	<sup>1</sup> 331908
20	Head	2	031815		Tool - Locknut		903091
21	Capscrews - Head	20	920369		Kit - Maintenance		898958
24	Ball Bearing	2	<sup>1</sup> 903172				

<sup>1</sup> Included in Maintenance Kit.      SS = Stainless Steel.      EC = Extra-Clearance.

**MECHANICAL SEALS**

Ref. No.	Part Name	Parts Per Pump	Part No.
153	Mechanical Seal Complete - (Std.) Cast Iron Stationary Seat, Carbon Seal Face, FKM O-Rings. (IVCV)	2	<sup>1</sup> 331883
	Mechanical Seal Complete - Cast Iron Stationary Seat, PTFE O-Ring, Carbon Seal Face w/ PTFE Seal Ring. (IACT)		331873
	Mechanical Seal Complete - Stainless Steel Stationary Seat, PTFE O-Ring, Carbon Seal Face w/ PTFE Seal Ring. (WACT)		331899
	Mechanical Seal Complete - Cast Iron Stationary Seat, Carbon Seal Face, Buna-N O-Rings. (INCN)		331880
153D	O-Ring - Stationary (FKM)	2	711931
	O-Ring - Stationary (PTFE)		702080
	O-Ring - Stationary (Buna-N)		701936
153L	O-Ring - Rotating (FKM)	2	701962
	Seal Ring - Rotating (PTFE)		**
	O-Ring - Rotating (Buna-N)		711912



<sup>1</sup> Included in Maintenance Kit

\*\* PTFE Rotating Seal Ring is not available as a separate part.

**FLANGE OPTIONS**

Ref. No.	Part Name	Parts Per Pump	Part No.
42	Flange - 3" NPT (Std.)	2	651803
	Flange - 3" Weld		655102
	Flange - 3" ANSI		651817
42A	Gasket - NPT Flange (Std.)	2	<sup>1</sup> 381816
42B	Capscrews - Weld / ANSI Flange	8	920510
	Capscrews - NPT Flange (Std.)		920532
42C	O-Ring - Weld/ANSI Flg. (FKM)	0 - 2	701968
	O-Ring - Weld/ANSI Flg. (PTFE)		702101
	O-Ring - Weld/ANSI Flg (Buna-N)		701937

<sup>1</sup> Included in Maintenance Kit.

