

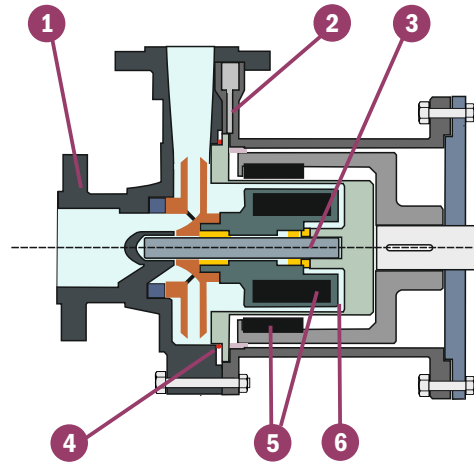


Centrifugal Pumps

SDM Range Magnetically Driven Pumps

DESIGN SUMMARY

Standards	None
Configuration	Horizontal long or close coupled
Motors	IE2, IE3
Seal Type	Magnetic Drive



SPECIFICATIONS

Maximum Temp	200 °C
Minimum Temp	-50 °C
Max Flow	27 m ³ /hr
Max Head	22 m
Max Pressures	40 bar total system
ATEX	Yes

MATERIALS

	Standard	Options
Rear Casing	CF8M SS	Hastello, Titanium
Front Casing	CF8M SS	Hastelloy, Alloy 20
Impeller	CF8M SS	Hastelloy, Alloy 20
Shaft	SiC	316, Hastelloy
Bearings	PTFE	Carbon
O Ring:	Viton	EPDM, FEP
Magnets	Samarium Cobalt/Neodymium	

DESIGN FEATURES

SDM pumps are well engineered stainless steel magnetic drive pumps for smaller duties and offer a cost effective alternative to ISO 2858 models.

- 1 Threaded, PN16, PN25, ANSI 150 or ANSI 300 connections.
- 2 Slot for PT 100 temperature probe on ATEX versions.
- 3 SiC shaft with PTFE bearing as standard to give improved chemical and mechanical resistance.
- 4 Viton O rings as standard
- 5 Powerful rare earth Neodymium Boron Iron (internal) and Samarium Cobalt (drive) magnets that allow SDM pumps to cope with high SGs and liquid temperatures up to 250 °C.
- 6 Internal magnet casing can be vacuum welded.

SDM pumps are also available in constructions suitable for refrigerants.



SDM - Performance Curves

2950 rpm

