

PARTS LIST
PUMPS
SLS24 i - SLS36 i

Keep this parts lists with Installation, Operation and Maintenance Instructions.

To order the required spare parts, indicate the desired Reference(s).

- ◆ Sets of parts or parts available to order.

CVT : FEP encapsulated FKM

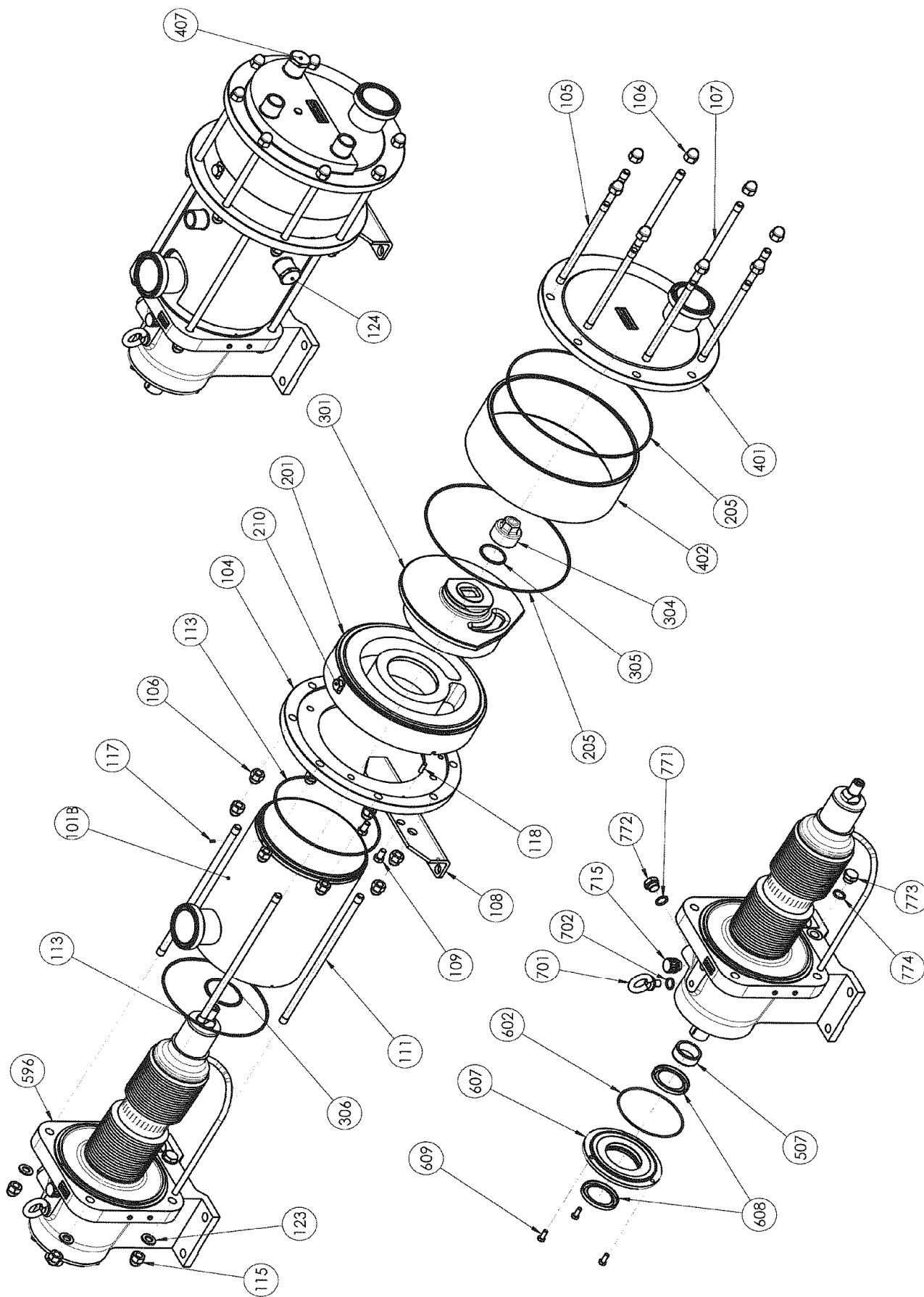
FDA : Food and Drug Administration (21 CFR 177 2600)

Z.I. la Plaine des Isles - 2 rue des Caillottes F-89000 AUXERRE - France

Tel : +33 (0)3 86 49 86 30 • Fax : +33 (0)3 86 49 87 17

contact@mouvex.com • www.mouvex.com

SLS24 i - SLS36 i



SLS24 i

* 1, 2, 4... : Quantity in equipment - (1), (2), (4)... : Quantity in kit

Item	Available	Description	Qty*	Ref.	Maintenance kit	Wear part
8	◆	PLUGS_BREATHER_LIFTING EYE BOLTS_SEALS	1	312196.00		
701		LIFTING EYE BOLTS	(1)			
702		SEAL	(1)			●
715	◆	BREATHER	1	219240		●
771		SEAL	(1)			●
772		PLUG	(1)			
773		PLUG	(1)			
774		SEAL	(1)			●
9	◆	BEARING COVER_GASKETS_SCREWS	1	315283.00		
507		SEAL RING	(1)			●
602		SEAL	(1)			●
607		COVER	(1)			
608		LIP SEAL	(2)			●
609		SCREW	(3)			
100	◆	INLET MANIFOLD FLANGE ASEPTIK DIN 11864-BF-A DN80	1	313715.00		
100	◆	INLET MANIFOLD CONNECTIONS CLAMP ASME-BPE	1	316980.00		
100	◆	INLET MANIFOLD CONNECTION CLAMP ISO 76	1	312234.00		
100	◆	INLET MANIFOLD CONNECTION DIN 80	1	312236.00		
100	◆	JACKETED INLET MANIFOLD FLANGE ASEPTIK DIN 11864-BF-A DN80	1	313716.00		
100	◆	JACKETED INLET MANIFOLD CONNECTIONS CLAMP ASME-BPE	1	316984.00		
100	◆	JACKETED INLET MANIFOLD CONNECTION CLAMP ISO 76	1	312911.05		
100	◆	JACKETED INLET MANIFOLD CONNECTION DIN 80	1	312910.05		
100	◆	JACKETED INLET MANIFOLD CONNECTION SMS 76	1	312907.05		
100	◆	INLET MANIFOLD CONNECTION SMS 76	1	312228.00		
101B		MAIN BODY	(1)			
104		MAIN BODY FLANGE	(1)			
108		SUPPORT FOOT	(1)			
109		SCREW	(2)			
117		PIN	(1)			
118		PIN	(1)			
124		PLUG (WITH JACKETED INLET)	(2)			
119	◆	SCREWS SET SLS 24	1	312184.00		
105		STUD	(6)			
106		BLIND NUT	(16)			
107		STUD	(2)			
111		STUD	(4)			
115		BLIND NUT	(4)			
123		WASHER	(4)			
200	◆	SET CYLINDER_PISTON	1	313401.00	■	
201		COMPLETE CYLINDER	(1)			●
210		SCREW	(1)			
301		PISTON	(1)			●
304	◆	PISTON NUT	1	219426		●
206	◆	SET OF CVT 'O' RING SEALS	1	312190.00	■	
206	◆	SET OF FKM LIP SEALS ('L' RINGS) FDA	1	312501.02	■	
206	◆	SET OF FKM 'O' RING SEALS	1	312246.00	■	
113		O-RING	(2)			●
205		O-RING	(2)			●
305		O-RING	(1)			●
306		O-RING	(1)			●

SLS24 i

* 1, 2, 4... : Quantity in equipment - (1), (2), (4)... : Quantity in kit

Item	Available	Description	Qty*	Ref.	Maintenance kit	Wear part
400	◆	COMPLETE FRONT COVER FLANGE ASEPTIK DIN 11864-BF-A DN80	1	313717.00		
400	◆	COMPLETE FRONT COVER CONNECTION CLAMP ASME-BPE	1	316979.00		
400	◆	COMPLETE FRONT COVER CONNECTION CLAMP ISO 76	1	312251.00		
400	◆	COMPLETE FRONT COVER CONNECTION DIN 80	1	312253.00		
400	◆	COMPLETE JACKETED FRONT COVER - FLANGE ASEPTIK DIN 11864-BF-A DN80	1	313718.00		
400	◆	COMPLETE JACKETED FRONT COVER - CONNECTION CLAMP ASME-BPE	1	316985.00		
400	◆	COMPLETE JACKETED FRONT COVER - CONNECTION CLAMP ISO 76	1	312921.05		
400	◆	COMPLETE JACKETED FRONT COVER - CONNECTION DIN 80	1	312922.05		
400	◆	COMPLETE JACKETED FRONT COVER - CONNECTION SMS 76	1	312919.05		
400	◆	COMPLETE FRONT COVER CONNECTION SMS 76	1	312247.00		
401		FRONT COVER	(1)			
402		OUTLET TUBE	(1)			
407		PLUG (WITH JACKETED FRONT COVER)	(1)			
596	◆	COMPLETE TRANSMISSION : WITH PRESSURE SWITCH BELLOWS MONITORING SYSTEM	1	313466.02	■	●
596	◆	WITH ATEX PRESSURE SWITCH BELLOWS MONITORING SYSTEM	1	313827.01	■	●
596	◆	WITHOUT BELLOWS MONITORING SYSTEM	1	314202.01	■	●

SLS36 i

* 1, 2,4... : Quantity in equipment - (1), (2), (4)... : Quantity in kit

Item	Available	Description	Qty*	Ref.	Maintenance kit	Wear part
8	◆	PLUGS_BREATHER_LIFTING EYE BOLTS_SEALS	1	312196.00		
701		LIFTING EYE BOLTS	(1)			
702		SEAL	(1)			●
715	◆	BREATHER	1	219240		●
771		SEAL	(1)			●
772		PLUG	(1)			
773		PLUG	(1)			
774		SEAL	(1)			●
9	◆	BEARING COVER_GASKETS_SCREWS	1	315283.00		
507		SEAL RING	(1)			●
602		SEAL	(1)			●
607		COVER	(1)			
608		LIP SEAL	(2)			●
609		SCREW	(3)			
100	◆	INLET MANIFOLD FLANGE ASEPTIK DIN 11864-BF-A DN80	1	313715.00		
100	◆	INLET MANIFOLD CONNECTIONS CLAMP ASME-BPE	1	316980.00		
100	◆	INLET MANIFOLD CONNECTION CLAMP ISO 76	1	312234.00		
100	◆	INLET MANIFOLD CONNECTION DIN 80	1	312236.00		
100	◆	JACKETED INLET MANIFOLD FLANGE ASEPTIK DIN 11864-BF-A DN80	1	313716.00		
100	◆	JACKETED INLET MANIFOLD CONNECTIONS CLAMP ASME-BPE	1	316984.00		
100	◆	JACKETED INLET MANIFOLD CONNECTION CLAMP ISO 76	1	312911.05		
100	◆	JACKETED INLET MANIFOLD CONNECTION DIN 80	1	312910.05		
100	◆	JACKETED INLET MANIFOLD CONNECTION SMS 76	1	312907.05		
100	◆	INLET MANIFOLD CONNECTION SMS 76	1	312228.00		
101B		MAIN BODY	(1)			
104		MAIN BODY FLANGE	(1)			
108		SUPPORT FOOT	(1)			
109		SCREW	(2)			
117		PIN	(1)			
118		PIN	(1)			
124		PLUG (WITH JACKETED INLET)	(2)			
119	◆	SCREWS SET SLS 36	1	312260.00		
105		STUD	(6)			
106		BLIND NUT	(16)			
107		STUD	(2)			
111		STUD	(4)			
115		BLIND NUT	(4)			
123		WASHER	(4)			
200	◆	SET CYLINDER_PISTON	1	313403.00	■	
201		COMPLETE CYLINDER	(1)			●
210		SCREW	(1)			
301		PISTON	(1)			●
304	◆	PISTON NUT	1	219455		●
206	◆	SET OF CVT 'O' RING SEALS	1	312190.00	■	
206	◆	SET OF FKM LIP SEALS ('L' RINGS) FDA	1	312501.02	■	
206	◆	SET OF FKM 'O' RING SEALS	1	312246.00	■	
113		O-RING	(2)			●
205		O-RING	(2)			●
305		O-RING	(1)			●
306		O-RING	(1)			●

SLS36 i

* 1, 2, 4... : Quantity in equipment - (1), (2), (4)... : Quantity in kit

Item	Available	Description	Qty*	Ref.	Maintenance kit	Wear part
400	◆	COMPLETE FRONT COVER FLANGE ASEPTIK DIN 11864-BF-A DN80	1	313717.00		
400	◆	COMPLETE FRONT COVER CONNECTION CLAMP ASME-BPE	1	316979.00		
400	◆	COMPLETE FRONT COVER CONNECTION CLAMP ISO 76	1	312251.00		
400	◆	COMPLETE FRONT COVER CONNECTION DIN 80	1	312253.00		
400	◆	COMPLETE JACKETED FRONT COVER - FLANGE ASEPTIK DIN 11864-BF-A DN80	1	313718.00		
400	◆	COMPLETE JACKETED FRONT COVER - CONNECTION CLAMP ASME-BPE	1	316985.00		
400	◆	COMPLETE JACKETED FRONT COVER - CONNECTION CLAMP ISO 76	1	312921.05		
400	◆	COMPLETE JACKETED FRONT COVER - CONNECTION DIN 80	1	312922.05		
400	◆	COMPLETE JACKETED FRONT COVER - CONNECTION SMS 76	1	312919.05		
400	◆	COMPLETE FRONT COVER CONNECTION SMS 76	1	312247.00		
401		FRONT COVER	(1)			
402		OUTLET TUBE	(1)			
407		PLUG (WITH JACKETED FRONT COVER)	(1)			
596	◆	COMPLETE TRANSMISSION : WITH PRESSURE SWITCH BELLOWS MONITORING SYSTEM	1	313466.02	■	●
596	◆	WITH ATEX PRESSURE SWITCH BELLOWS MONITORING SYSTEM	1	313827.01	■	●
596	◆	WITHOUT BELLOWS MONITORING SYSTEM	1	314202.01	■	●