

**PARTS LIST**  
**PUMPS**  
**SLS4 i - SLS8 i**

Keep this parts lists with Installation, Operation and Maintenance Instructions.

To order the required spare parts, indicate the desired Reference(s).

- ◆ Sets of parts or parts available to order.

**BMS : Bellows monitoring system**

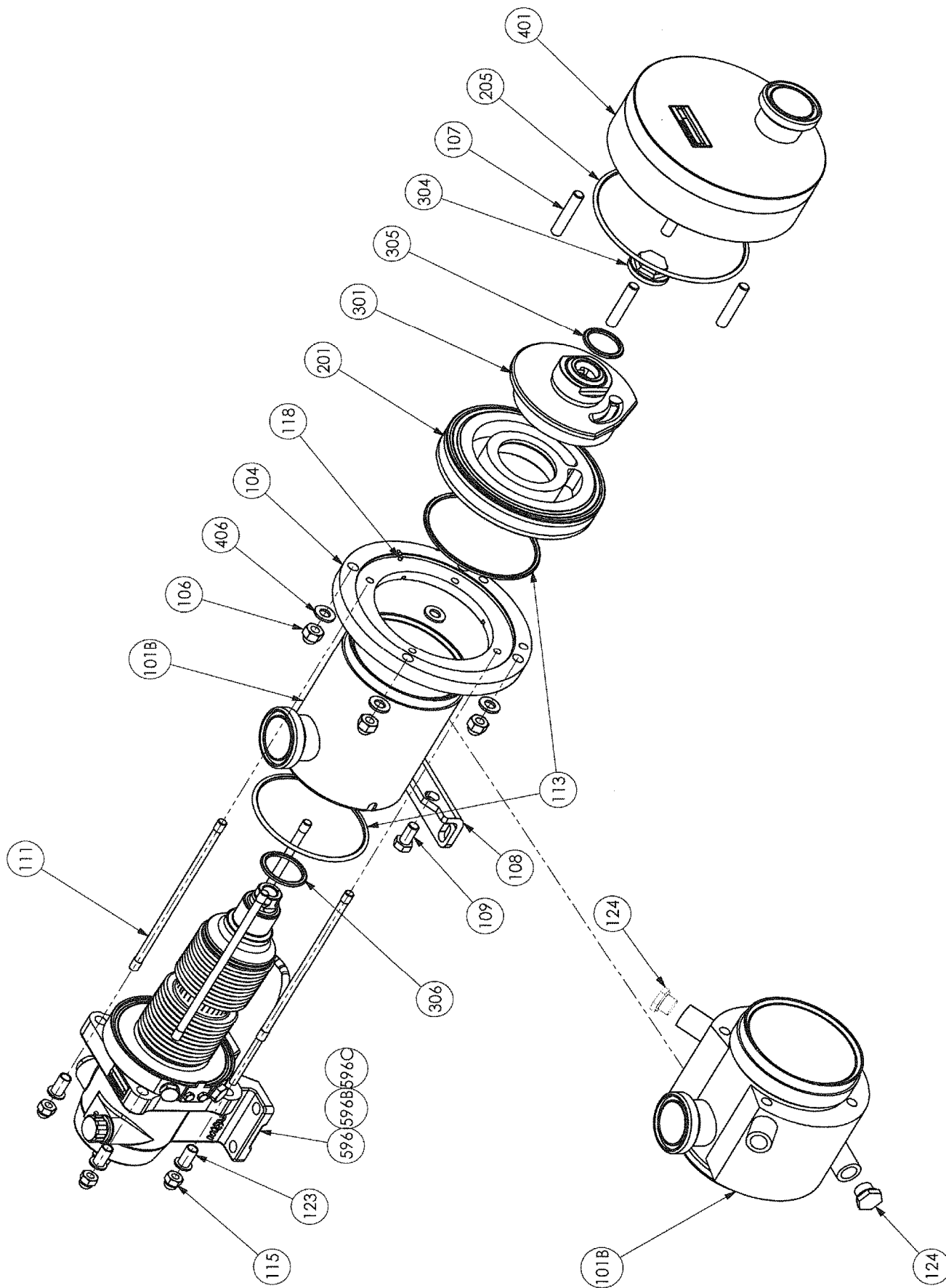
CVT : FEP encapsulated FKM

Z.I. la Plaine des Isles - 2 rue des Caillottes F-89000 AUXERRE - France

Tel : +33 (0)3 86 49 86 30 • Fax : +33 (0)3 86 49 87 17

contact@mouvex.com • www.mouvex.com

# SLS4 i - SLS8 i



# SLS4 i

\* 1, 2, 4... : Quantity in equipment - (1), (2), (4)... : Quantity in kit

Item	Available	Description	Qty*	Ref.	Maintenance kit	Wear part
8	◆	SET PLUGS SL4_8	1	316251.00		
715	◆	BREATHER	1	219240		●
751		PLUG	(1)			
772		PLUG	(1)			
773		PLUG	(1)			
774		SEAL	(1)			●
9	◆	BEARING GASKETS _ RING SET _ CIRCLIPS	1	316243.01		
507		RING	(1)			●
516		CIRCLIPS	(1)			
518		SEAL	(1)			●
608		LIP SEAL	(1)			●
608A		LIP SEAL	(1)			●
610		CIRCLIPS	(1)			
733		O-RING	(1)			●
16A	◆	SCREWS SET FOR BELLOWS SL 4_8	1	316250.00		
17A	◆	SET BELLOWS SL 4_8 WITHOUT BMS	1	316742.00		
17A	◆	SET BELLOWS SL 4_8 WITH BMS	1	316743.00		
17A	◆	SET BELLOWS SL 4_8 WITH BMS ATEX	1	316744.00		
26A	◆	KIT EASY CLEAN SYSTEM (ECS) SLS4 SLS8	1	319213.00		
27	◆	KIT OIL LEVEL SENSOR SL 4_8 ECS	1	319202.00		
100	◆	COMPLETE MAIN BODY - CONNECTIONS CLAMP ASME-BPE	1	316219.00		
100	◆	COMPLETE MAIN BODY - CONNECTIONS DIN11851	1	316221.00		
100	◆	COMPLETE MAIN BODY - CONNECTIONS DIN11864	1	316223.00		
100	◆	COMPLETE MAIN BODY - CONNECTIONS SMS	1	316217.00		
100	◆	COMPLETE JACKETED MAIN BODY - CONNECTIONS CLAMP ASME-BPE	1	316220.00		
100	◆	COMPLETE JACKETED MAIN BODY - CONNECTIONS DIN11851	1	316222.00		
100	◆	COMPLETE JACKETED MAIN BODY - CONNECTIONS DIN11864	1	316224.00		
100	◆	COMPLETE JACKETED MAIN BODY - CONNECTIONS SMS	1	316218.00		
101B		MAIN BODY	(1)			
104		MAIN BODY FLANGE	(1)			
108		SUPPORT FOOT	(1)			
109		SCREW	(2)			
117		PIN	(1)			
118		PIN	(1)			
124		PLUG (JACKET VERSION)	(2)			
119	◆	SCREWS SET SLS 4 SLC 4 - JACKETED PUMP_TURN ABLE MANIFOLD	1	316254.00		
106		BLIND NUT	(4)			
107		STUD	(4)			
111		STUD	(4)			
115		BLIND NUT	(4)			
123		WASHER	(4)			
406		WASHER	(4)			
200	◆	SET CYLINDER_PISTON SL 4	1	316239.00	■	
201		CYLINDER	(1)			●
301		PISTON	(1)			●
304	◆	PISTON SCREW	1	229316		●
206	◆	SET OF CVT 'O' RING SEALS SL 4-8	1	316242.00	■	
206	◆	SET OF FKM 'O' RING SEALS SL 4-8	1	316963.00	■	
113		SEAL	(2)			●
205		SEAL	(1)			●
305		SEAL	(1)			●
306		SEAL	(1)			●

# SLS4 i

\* 1, 2, 4... : Quantity in equipment - (1), (2), (4)... : Quantity in kit

Item	Available	Description	Qty*	Ref.	Maintenance kit	Wear part
401	◆	FRONT COVER PLATE CLAMP ASME BPE SLS 4-8	1	316236.00		
401	◆	FRONT COVER PLATE DIN11851 DN50 SLS 4-8	1	316237.00		
401	◆	FRONT COVER PLATE DIN11864 DN50 SLS 4-8	1	316238.00		
401	◆	FRONT COVER PLATE SMS DN51 SLS 4-8	1	316235.00		
596	◆	COMPLETE TRANSMISSION WITHOUT BMS	1	316195.00	■	●
596	◆	COMPLETE TRANSMISSION WITHOUT BMS - PUMP WITH JACKET	1	316202.00	■	●
596B*	◆	COMPLETE TRANSMISSION WITH BMS - ATEX LEFT	1	316199.00	■	●
596B*	◆	COMPLETE TRANSMISSION WITH BMS - ATEX LEFT - PUMP WITH JACKET	1	316208.00	■	●
596B*	◆	COMPLETE TRANSMISSION WITH BMS - LEFT	1	316197.00	■	●
596B*	◆	COMPLETE TRANSMISSION WITH BMS - LEFT - PUMP WITH JACKET	1	316205.00	■	●
596C*	◆	COMPLETE TRANSMISSION WITH BMS - ATEX RIGHT	1	316198.00	■	●
596C*	◆	COMPLETE TRANSMISSION WITH BMS - ATEX RIGHT - PUMP WITH JACKET	1	316206.00	■	●
596C*	◆	COMPLETE TRANSMISSION WITH BMS - RIGHT	1	316196.00	■	●
596C*	◆	COMPLETE TRANSMISSION WITH BMS - RIGHT - PUMP WITH JACKET	1	316204.00	■	●

\* Looking at pump from drive side

# SLS8 i

\* 1, 2,4... : Quantity in equipment - (1), (2), (4)... : Quantity in kit

Item	Available	Description	Qty*	Ref.	Maintenance kit	Wear part
8	◆	SET PLUGS SL4_8	1	316251.00		
715	◆	BREATHER	1	219240		●
751		PLUG	(1)			
772		PLUG	(1)			
773		PLUG	(1)			
774		SEAL	(1)			●
9	◆	BEARING GASKETS _ RING SET _ CIRCLIPS	1	316243.01		
507		RING	(1)			●
516		CIRCLIPS	(1)			
518		SEAL	(1)			●
608		LIP SEAL	(1)			●
608A		LIP SEAL	(1)			●
610		CIRCLIPS	(1)			
733		O-RING	(1)			●
16A	◆	SCREWS SET FOR BELLOWS SL 4_8	1	316250.00		
17A	◆	SET BELLOWS SL 4_8 WITHOUT BMS	1	316742.00		
17A	◆	SET BELLOWS SL 4_8 WITH BMS	1	316743.00		
17A	◆	SET BELLOWS SL 4_8 WITH BMS ATEX	1	316744.00		
26A	◆	KIT EASY CLEAN SYSTEM (ECS) SLS4 SLS8	1	319213.00		
27	◆	KIT OIL LEVEL SENSOR SL 4_8 ECS	1	319202.00		
100	◆	COMPLETE MAIN BODY - CONNECTIONS CLAMP ASME-BPE	1	316219.00		
100	◆	COMPLETE MAIN BODY - CONNECTIONS DIN11851	1	316221.00		
100	◆	COMPLETE MAIN BODY - CONNECTIONS DIN11864	1	316223.00		
100	◆	COMPLETE MAIN BODY - CONNECTIONS SMS	1	316217.00		
100	◆	COMPLETE JACKETED MAIN BODY - CONNECTIONS CLAMP ASME-BPE	1	316220.00		
100	◆	COMPLETE JACKETED MAIN BODY - CONNECTIONS DIN11851	1	316222.00		
100	◆	COMPLETE JACKETED MAIN BODY - CONNECTIONS DIN11864	1	316224.00		
100	◆	COMPLETE JACKETED MAIN BODY - CONNECTIONS SMS	1	316218.00		
101B		MAIN BODY	(1)			
104		MAIN BODY FLANGE	(1)			
108		SUPPORT FOOT	(1)			
109		SCREW	(2)			
117		PIN	(1)			
118		PIN	(1)			
124		PLUG (JACKET VERSION)	(2)			
119	◆	SCREWS SET SLS 8 SLC 8 - JACKETED PUMP_TURN ABLE MANIFOLD	1	316255.00		
106		BLIND NUT	(4)			
107		STUD	(4)			
111		STUD	(4)			
115		BLIND NUT	(4)			
123		WASHER	(4)			
406		WASHER	(4)			
200	◆	SET CYLINDER_PISTON SL 8	1	316240.00	■	
201		CYLINDER	(1)			●
301		PISTON	(1)			●
304	◆	PISTON SCREW	1	229316		●
206	◆	SET OF CVT 'O' RING SEALS SL 4-8	1	316242.00	■	
206	◆	SET OF FKM 'O' RING SEALS SL 4-8	1	316963.00	■	
113		SEAL	(2)			●
205		SEAL	(1)			●
305		SEAL	(1)			●
306		SEAL	(1)			●

# SLS8 i

\* 1, 2, 4... : Quantity in equipment - (1), (2), (4)... : Quantity in kit

Item	Available	Description	Qty*	Ref.	Maintenance kit	Wear part
401	◆	FRONT COVER PLATE CLAMP ASME BPE SLS 4-8	1	316236.00		
401	◆	FRONT COVER PLATE DIN11851 DN50 SLS 4-8	1	316237.00		
401	◆	FRONT COVER PLATE DIN11864 DN50 SLS 4-8	1	316238.00		
401	◆	FRONT COVER PLATE SMS DN51 SLS 4-8	1	316235.00		
596	◆	COMPLETE TRANSMISSION WITHOUT BMS	1	316195.00	■	●
596	◆	COMPLETE TRANSMISSION WITHOUT BMS - PUMP WITH JACKET	1	316202.00	■	●
596B*	◆	COMPLETE TRANSMISSION WITH BMS - ATEX LEFT	1	316199.00	■	●
596B*	◆	COMPLETE TRANSMISSION WITH BMS - ATEX LEFT - PUMP WITH JACKET	1	316208.00	■	●
596B*	◆	COMPLETE TRANSMISSION WITH BMS - LEFT	1	316197.00	■	●
596B*	◆	COMPLETE TRANSMISSION WITH BMS - LEFT - PUMP WITH JACKET	1	316205.00	■	●
596C*	◆	COMPLETE TRANSMISSION WITH BMS - ATEX RIGHT	1	316198.00	■	●
596C*	◆	COMPLETE TRANSMISSION WITH BMS - ATEX RIGHT - PUMP WITH JACKET	1	316206.00	■	●
596C*	◆	COMPLETE TRANSMISSION WITH BMS - RIGHT	1	316196.00	■	●
596C*	◆	COMPLETE TRANSMISSION WITH BMS - RIGHT - PUMP WITH JACKET	1	316204.00	■	●

\* Looking at pump from drive side