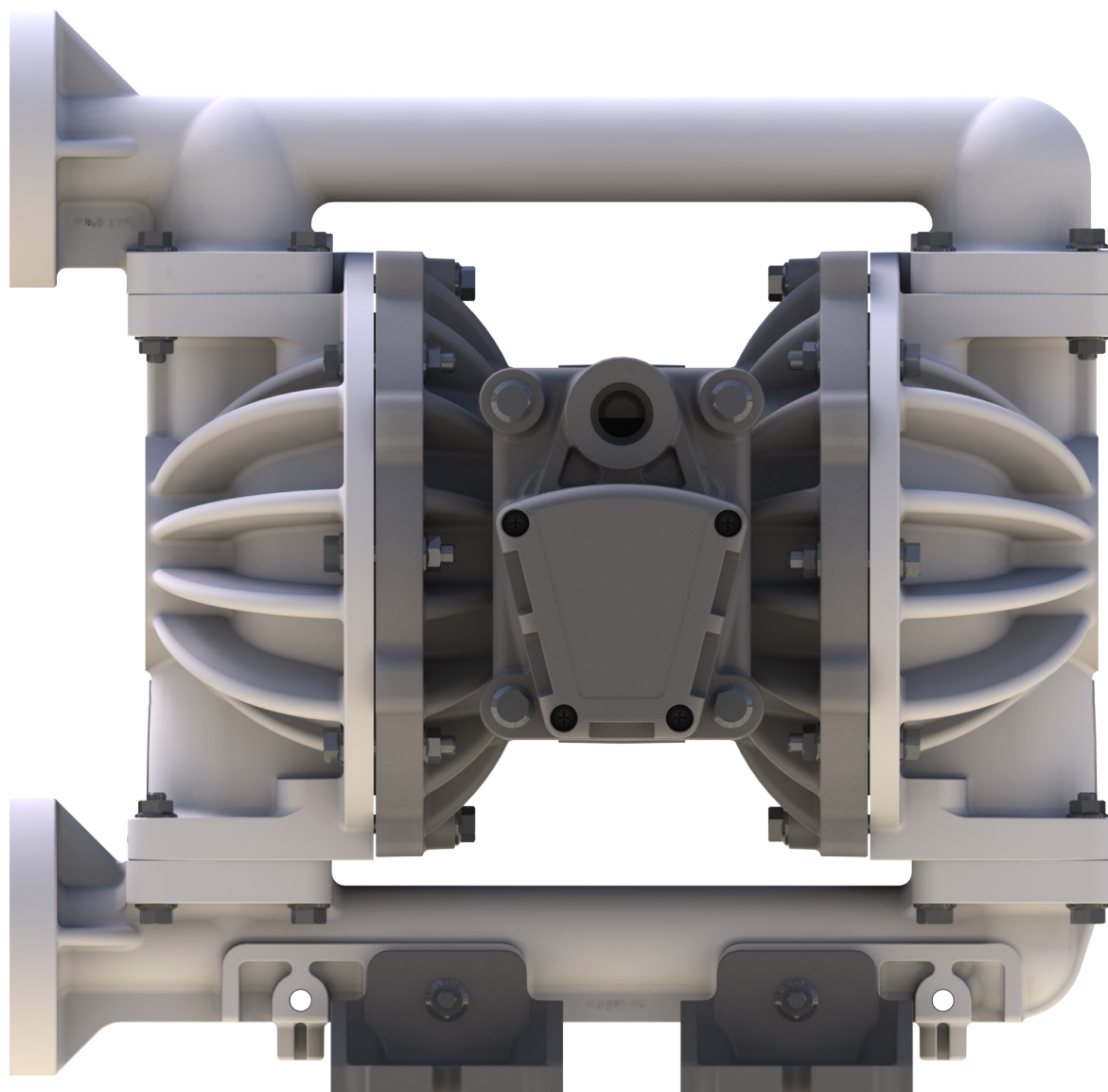


# VALOR

1" PLASTIC BOLTED



**VERSAMATIC**<sup>®</sup>  
PUMPING MADE EASY

**VERSAMATIC.COM**

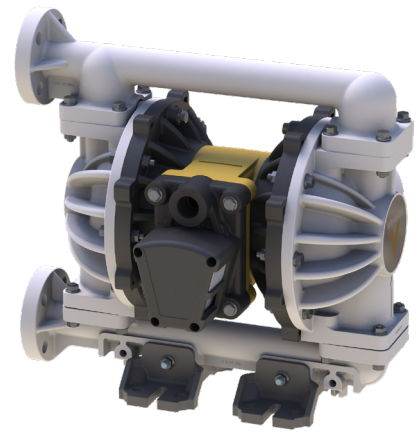
# OVERVIEW

**Class Leading Flow Rates** – 63 GPM (238 lpm)

**Plastic corrosion resistant** Wet Side and Air Side

**Low weight for ease of mobility** (25lbs for Polypropylene model)

**Bolted Construction** capable of 125 psi (8.6 Bar)



## FEATURES:

### Ease of Maintenance:

- Simple external access to air / pilot valve
- Extended life air valve seals
- Common wet side bolt size
- Easy install neutral plane

### Installation Flexibility:

- Multiple porting options
- Interchangeable / Adjustable foot positions

### Wetted Material Range:

- Polypropylene
- PVDF
- Conductive Polypropylene (ATEX)

## KEY APPLICATIONS:

- Fluid Transfer
- Chemical processing

## ADVANTAGES:

- High chemical resistance
- Diverse material offering
- Class leading air efficiency
- Excellent dry suction lift 19' (5.8 m)
- Premium solids passage up to 0.25" (6 mm)
- Non-freezing, Non-stalling, On / Off reliability

## PERFORMANCE:

### Flow Rate

Adjustable to . . . . 0-63 gpm (227 lpm)

### Port Size - Suction / Discharge

. . . . . 1" ANSI/DIN Flange

### Max Solid Size (Diameter)

. . . . . 0.25" (6 mm)

**Air Inlet** . . . . . 3/4" NPT

**Air Exhaust** . . . . . 1" NPT

**Suction Lift** . . . . . 19'(5.8 m) Dry

. . . . . 31' (9.5 m) Wet

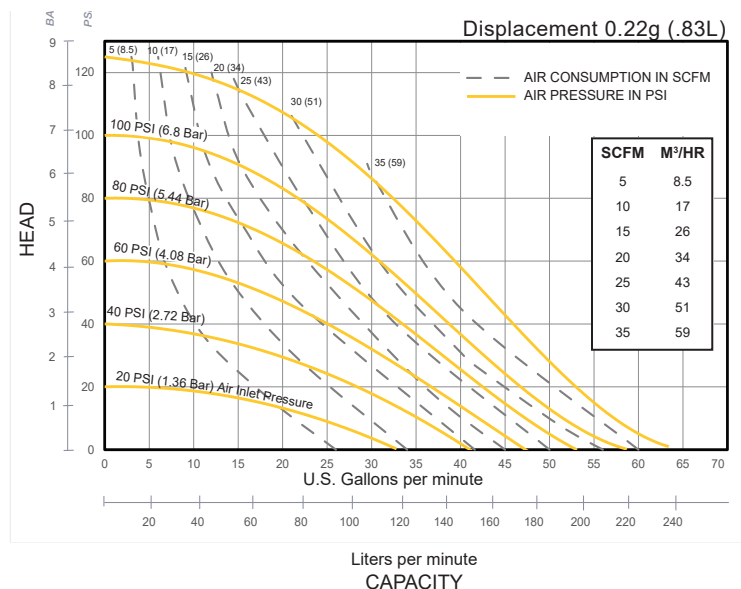
### Weights

. . . . . Polypropylene 25 lbs. (11.3 kg)

. . . . . PVDF 42 lbs. (19 kg)

Conductive Poly (ATEX) 28lbs (12.7 kg)

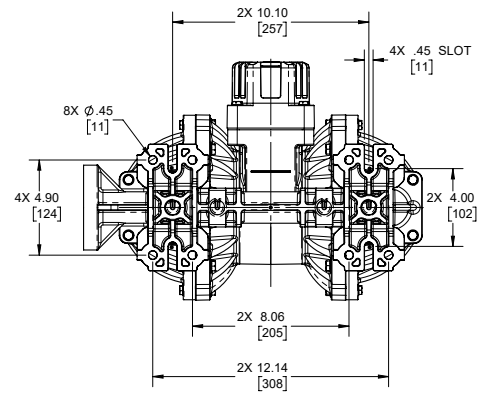
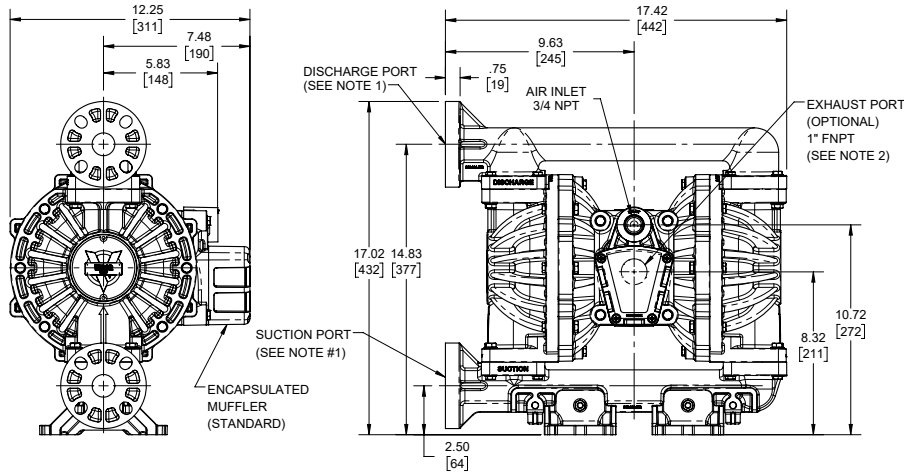
## VALOR CURVE



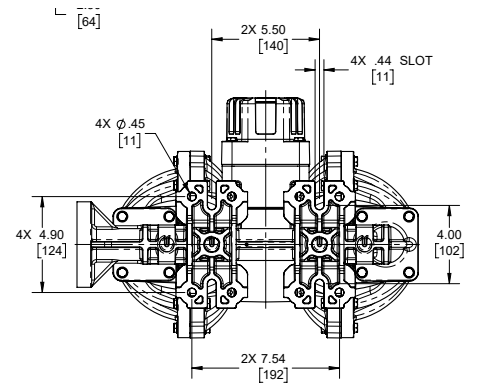
# DIMENSIONS

## Valor End Ported Option- Polypropylene and PVDF Wet Side

Dimensions in inches (metric dimensions in brackets). Dimensional Tolerance .125" (3mm).

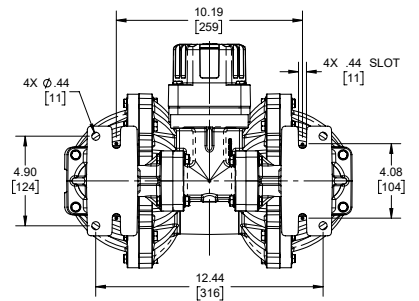
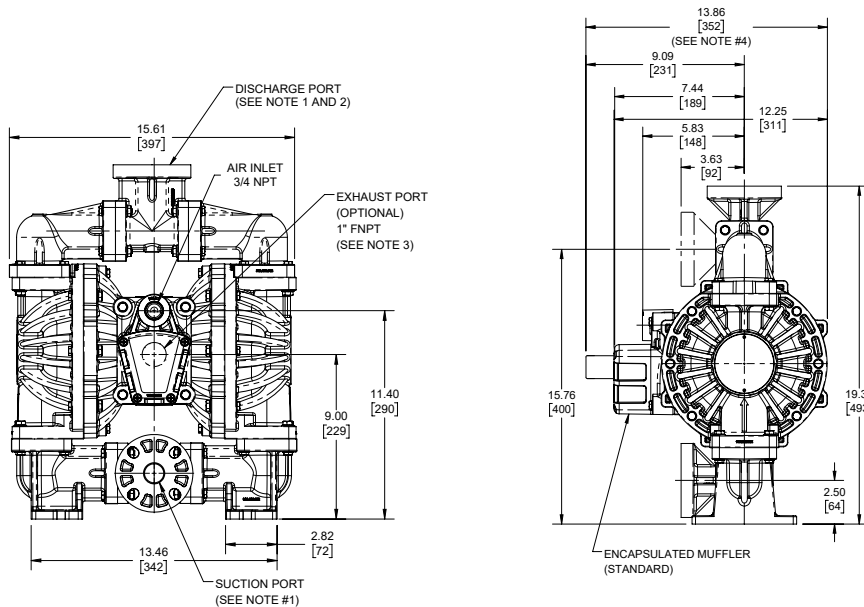


Alternate foot position



## Valor Plastic Bolted Center Ported Options-Polypropylene, PVDF, and ATEX Conductive Polypropylene Wet Side

Dimensions in inches (metric dimensions in brackets). Dimensional Tolerance .125" (3mm).



Warren Rupp, Inc. | A Unit of IDEX Corporation  
800 North Main Street | Mansfield, OH 44902 USA  
Phone: 419.526.7296 | Fax: 419.526.7289

[VERSAMATIC.COM](http://VERSAMATIC.COM)



Scan to learn more

Visit [www.versamatic.com](http://www.versamatic.com) and click on "Find a distributor" to contact your local distributor to place your order



VM\_Valor\_Rev0523

©Copyright 2023 Warren Rupp, Inc. All Rights Reserved.