

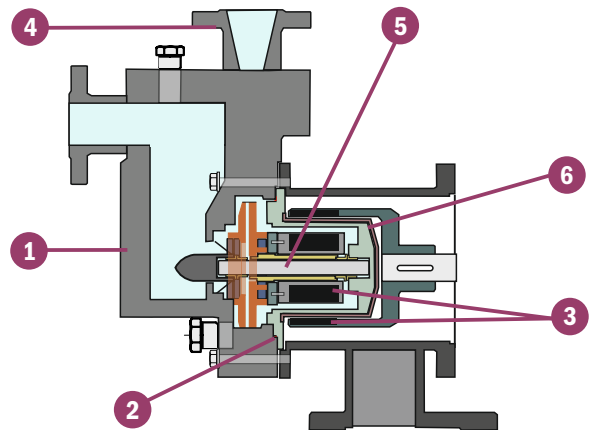


Centrifugal Pumps

PCM-SP Range Magnetically Driven Self Priming Pumps

DESIGN SUMMARY

Standards	9906 Class II
Configuration	Close coupled, long coupled
Motors	IE2, IE3, IE4
Seal Type	Magnetic Drive



SPECIFICATIONS

Maximum Temp	90 °C
Minimum Temp	-40 °C
Max Flow	120 m ³ /hr
Max Head	45 m
Max Pressures	10 bar total system
ATEX	Yes

MATERIALS

	Standard	Options
Rear Casing	PP	PVDF
Front Casing	PP	PVDF
Impeller	PP	PVDF
Shaft	SiC	
Bearings	PTFE	SiC
O Ring:	EPDM	Viton, FEP
Magnets	Neodymium	

DESIGN FEATURES

PCM-SP pumps are thick walled plastic magnetically driven centrifugal pumps. They directly replace Caster MCH pumps.

- 1 Thick wall housings machined from solid block polypropylene or PVDF.
- 2 Viton, EPDM or FEP O rings.
- 3 Powerful rare earth Neodymium magnets.
- 4 PN10 or ANSI 150 connections
- 5 SiC shaft with PTFE bearing as standard to give improved chemical and mechanical resistance.
- 6 Secondary carbon fibre containment shell optional for 4 x 13 and standard above this.

The PCM-SP pumps are supplemented by the standard PCM and SDM stainless steel ranges along with the PTM plastic turbine pumps.



PCM-SP Performance Curves

2950 rpm

