



Chopper Hopper

Solids Reduction and Transfer Pumping

Ensuring waste is never wasted.

The Chopper Hopper is a powerful and aggressive grinder pump that combines solids reduction and transfer pumping into one efficient unit. It homogenizes objects like whole fruits and vegetables into a pump-able puree or mash. Up to three stages of solids reduction are available for coarse, medium, and fine particle size.

Typical Applications

- Food Processing
- Waste handling for disposal
- Rework or recovery of product
- Rendering plants
- Slaughter plants - process internal organs
- Orange peels, juicers
- Waste potatoes
- Meat Products



SEQUENCE OF OPERATION

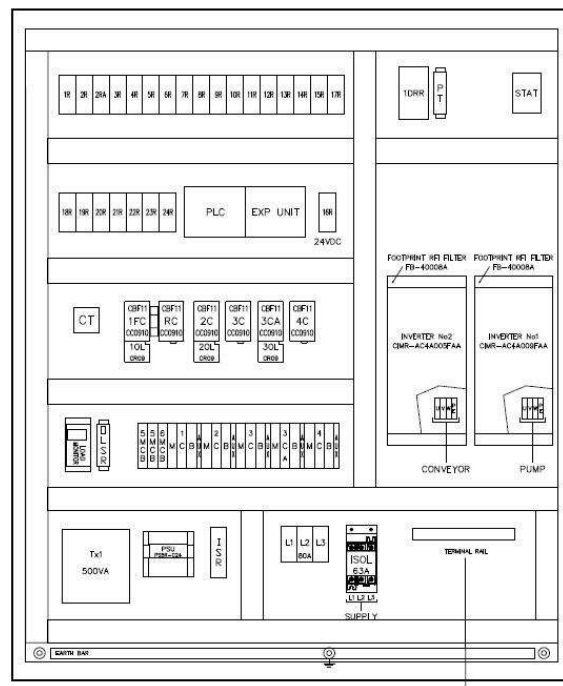
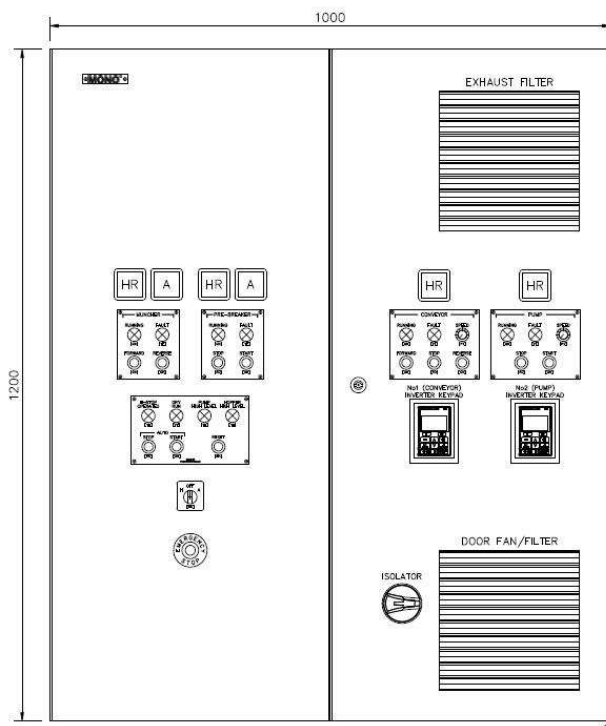
Control will be from the auto start/stop buttons in the sequence below:

- Muncher motor starts
- 30 second time delay
- Pre-breaker motor starts
- 2-minute time delay
- Conveyor motor starts
- 1-minute time delay
- Pump motor starts
- The Speed of the Conveyor motor can be adjusted by its speed potentiometer.
- The Speed of the Pump motor can be adjusted by its speed potentiometer.
- The Muncher will have the standard load monitor protection. The Pump will be inhibited if the Muncher reverses. All other motors will continue to run.
- All motors will stop if a Muncher trip condition occurs.
- The Pump will stop if its level sensor trips and will re-start when the level is acceptable. All other motors will continue to run.

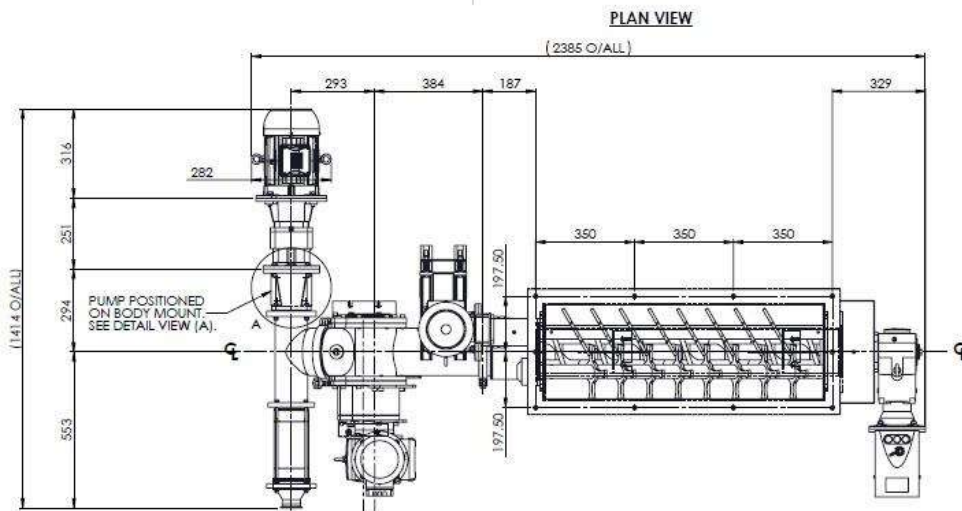
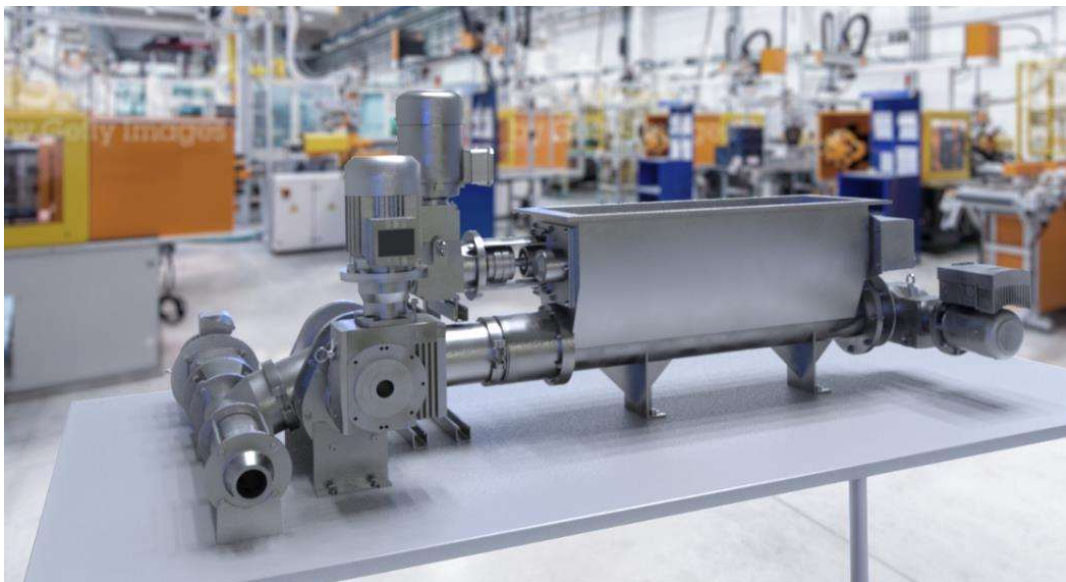
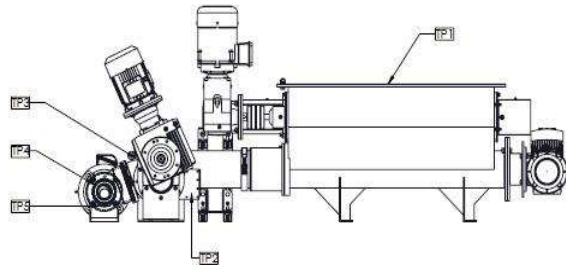
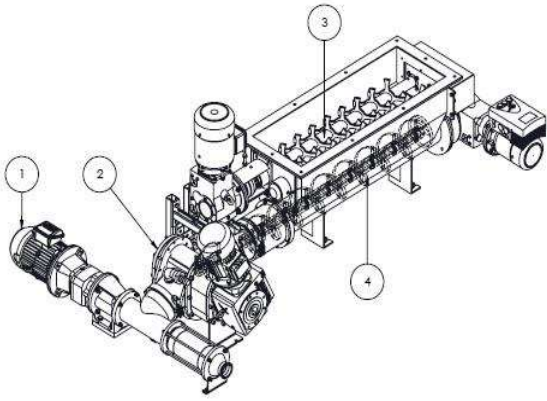
All motors will stop if a pump dry run condition occurs.

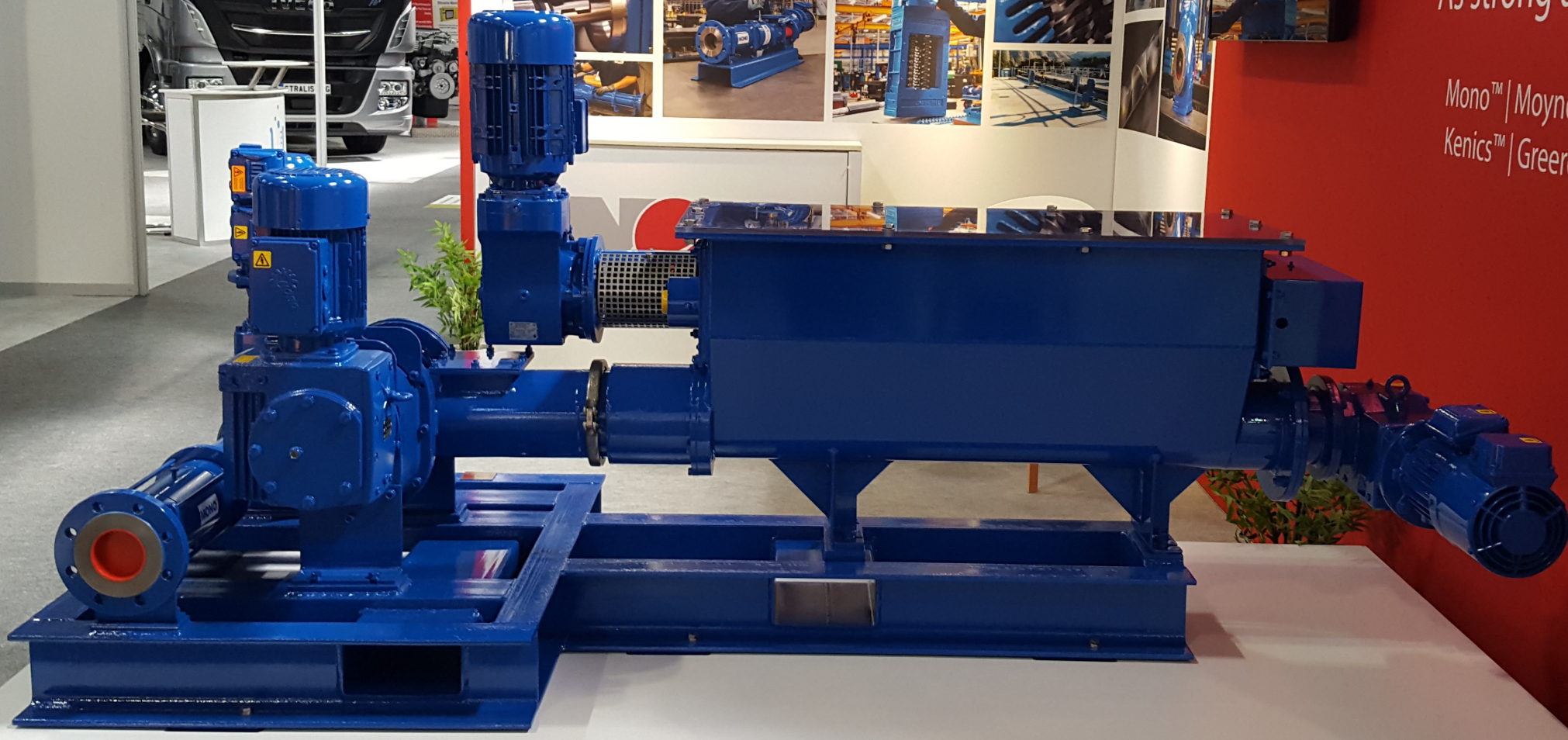


Features	Description	1	2	3	4	5	6	7	8	9	10	/	12	13	14	15
Range	Bulk Reduction System	B	R													
Design Mk No	2017			1												
Size Pump & TR	37m ³ /h @ 800 rpm				5											
Stages	Single stage					A										
Materials of Construction	CD Pump, CD Muncher, RR Stator						1									
Pre Breaker Cutter Design	SX Material, 4 Tooth, 10 Thk							1								
Muncher Cutter Design	LE Material, 7 Tooth, 5.5 Thk								C							
Drive Selection	2.2 PrBr, 0.55 Auger, 1.5 Munch, 1.1 Pump									1						
Conveyor & Trash Trap Option	Modular Industrial Conveyor & Flotation Separation										1					
	Modular Industrial Conveyor & Inspection Port										2					
/												/				
Variation	For special requirements contact NOV												A	1	2	3
Example:		B	R	1	5	A	1	1	C	1	1	/	A	1	2	3



ITEM	UNIT	POWER KW	SPEED RPM	CAPABILITY
1	PUMP	1.1	60 VARI	PRESSURE UP TO 5.0 BAR CAPACITY UP TO 2.0 M3/HR
2	GRINDER	1.5	69/45	FINAL PARTICLE 5.0MM AVERAGE
3	PREBREAKER	2.2	220	ABILITY TO HANDLE WHOLE FRUIT SUCH AS MELONS AND AVOCADO STONES
4	FEED CONVEYOR	0.55	70 VARI	PLASTIC SEGMENTED DESIGN
5	CONTROL PANEL	N/A	N/A	PLUG AND PLAY AUTO SEQUENCING
6	TRASH TRAP OPTION	N/A	N/A	PRIOR TO THE GRINDER ELEMENT FOR EASY REMOVAL OF TRASH MATERIAL





NO

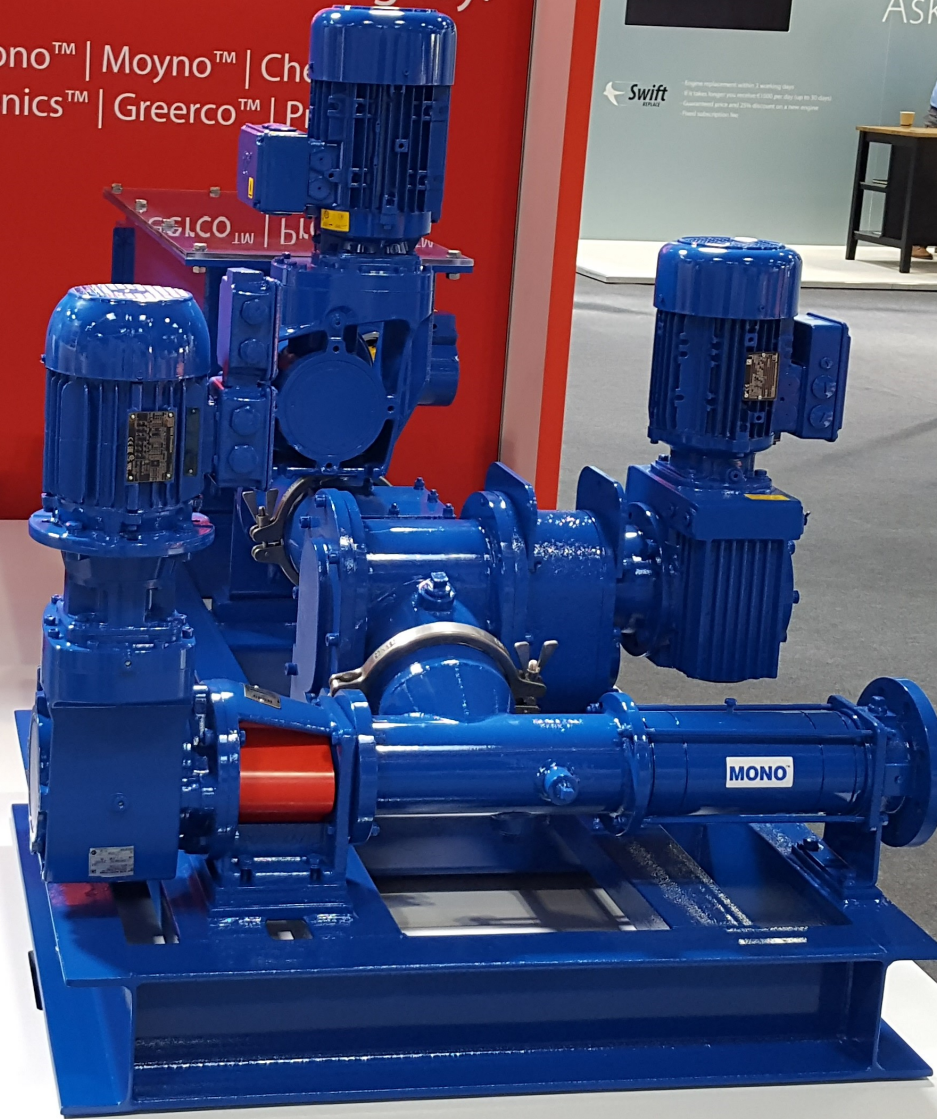
As strong as our |

Mono™ | Moyno™ | Chem
Kenics™ | Greerco™ | Pro

NOV

As strong as our legacy.

Mono™ | Moyno™ | Chem
Kenics™ | Greerco™ | P



Biogas upgrading

NEW!



Swift

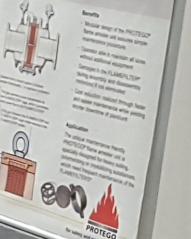
PROTEGO UK



The MAN for y
biogas CHP sol

Ask a MANgin

New PROTEGO® Flame Arrester Unit
Unique Maintenance Friendly Design



PROTEGO

National Oilwell Varco has produced this brochure for general information only and it is not intended for design purposes. Although every effort has been made to maintain the accuracy and reliability of its contents, National Oilwell Varco in no way assumes responsibility for liability for any loss, damage or injury resulting from the use of information and data herein. All applications for the material described are at the user's risk and are the user's responsibility.

Corporate Headquarters
7909 Parkwood Circle Drive
Houston, Texas 77036
USA

Corporate Headquarters
10353 Richmond Avenue
1020 Everman Parkway
Houston, Texas 77042
USA

© 2018 National Oilwell Varco All Rights Reserved
12773_ENG_V01



nov.com