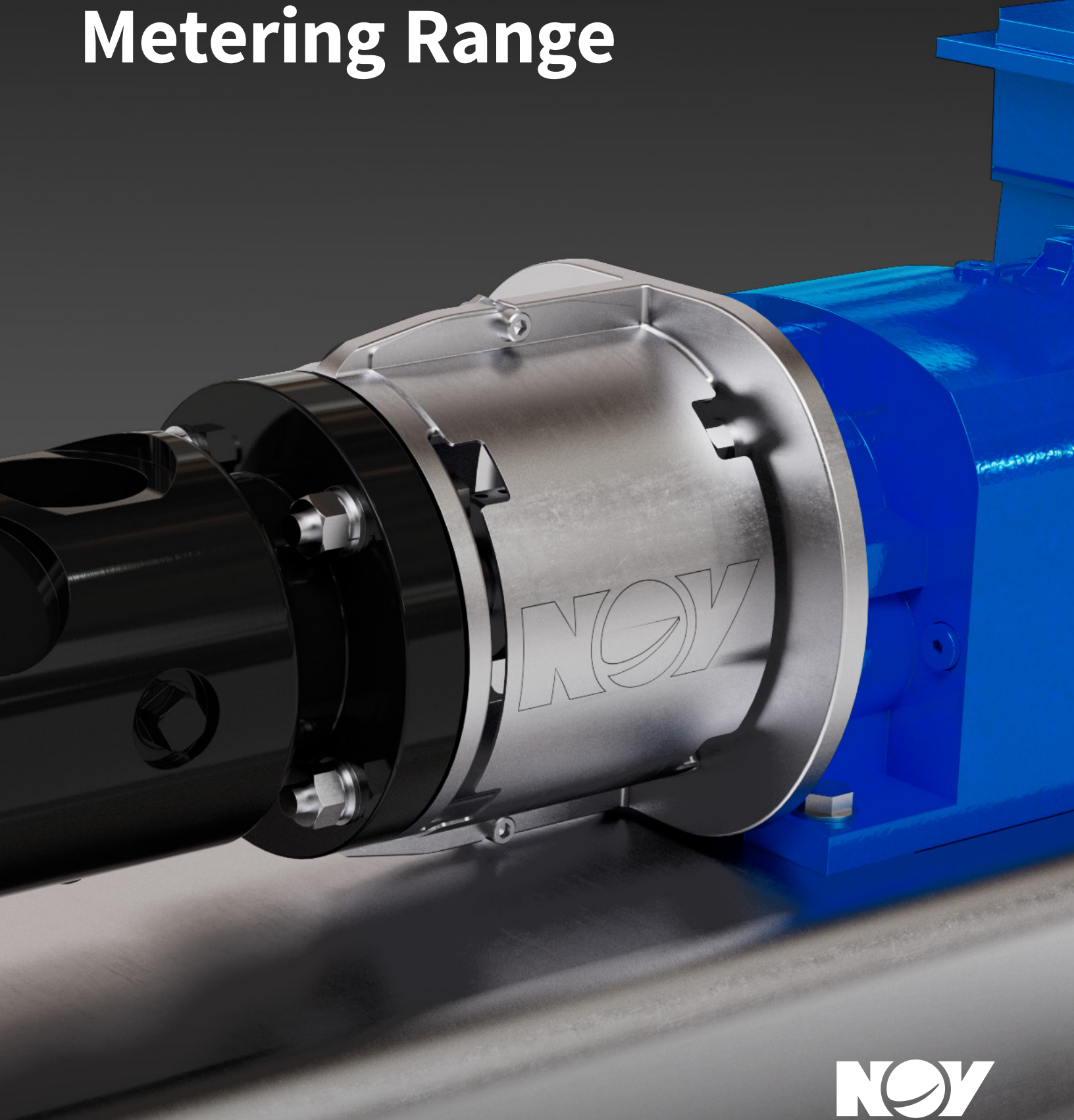
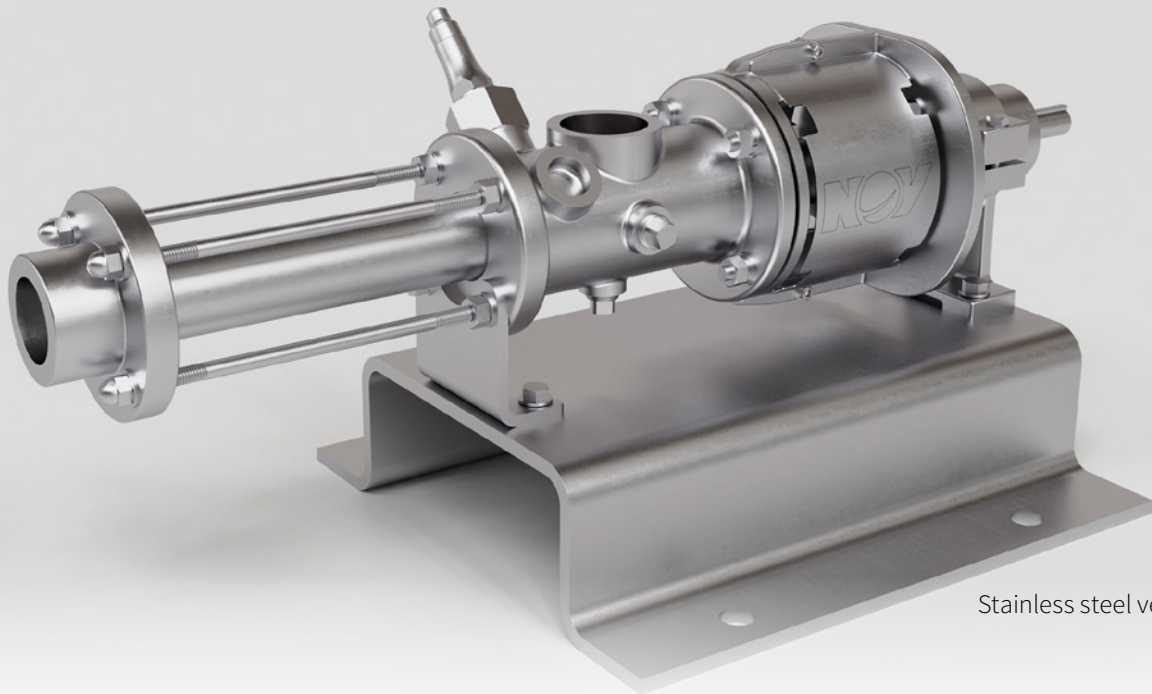


Low Flow Metering Range





Stainless steel version

Low Flow Metering Range

The Low Flow Metering range includes enhanced element offerings with improved precision metering control technology, reduced break-out torque, and excellent slow-speed performance. The elements help to expand the scope of metering applications for your customer, while still supplying each fluid with a smooth, pulsation-free flow.

Mono and Moyno metering pump advantages:

- Handles abrasives, corrosives, solids in suspension, and viscous fluids
- Works with pressures to 300 psi or 24 bar
- Self-priming, high suction lift capability
- Low shear pumping action
- Low power consumption and operating costs
- No valves to clog, stick, or vapor lock
- Pressure capability is independent of speed
- Compatible with Integral VFD/Motor Controls

Applications:

The use of different stator materials enables the pump to be used for a wide range of products, including:

- Acids and alkalis
- Cosmetics
- Food ingredients
- Brewing and winemaking
- Process mining
- Dyes and inks
- Flocculants
- Water and wastewater chemical injection
- Food and beverage flavoring's transfer
- Chemical processing for various industries
- Pulp and paper, pumping titanium dioxide
- Pharmaceutical industry, handling fillers
- Pastes and gels

Key performance details

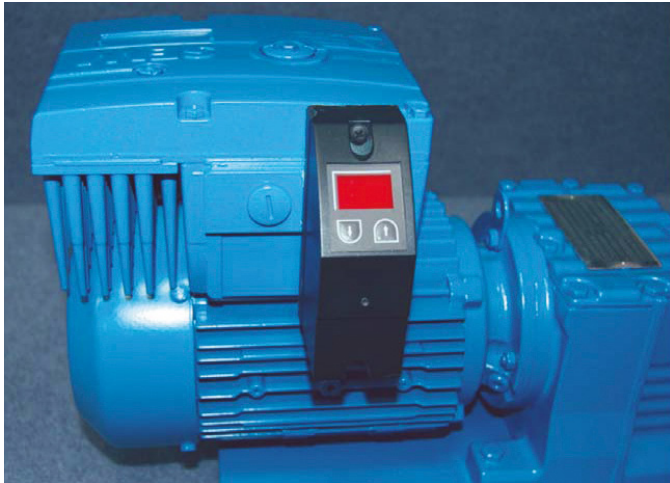
Capacity – 0 to 1.29m³/hr or 0 to 341 US gph

Pressure – up to 348 psi or 24 bar

Temperature - 100°C

Highly repeatable accuracy

Smart controls and pumping



Moyno integral VFD/motor control for that precision metering you demand

The latest motor control enhancements, plus decades of metering pump experience equal a winning combination for you.

About our VFD offering

Moyno offers a wide range of integral VFD/motor controls for improved metering accuracy and repeatability. You have the choice of two global motor suppliers to choose from, the Nord® SK 200E and 300E Trio, and SEW Eurodrive Movimot®.



Flow meter

The Smart Metering pump is supplied with an integrated PLC and inverter allowing sensors on the pump to provide feedback on the operating conditions. Set points can then be programmed for the specific application allowing the pump to correct any deviations from the required duty, no matter how small.

This simplifies automation system integration and reduces the cost of installation.

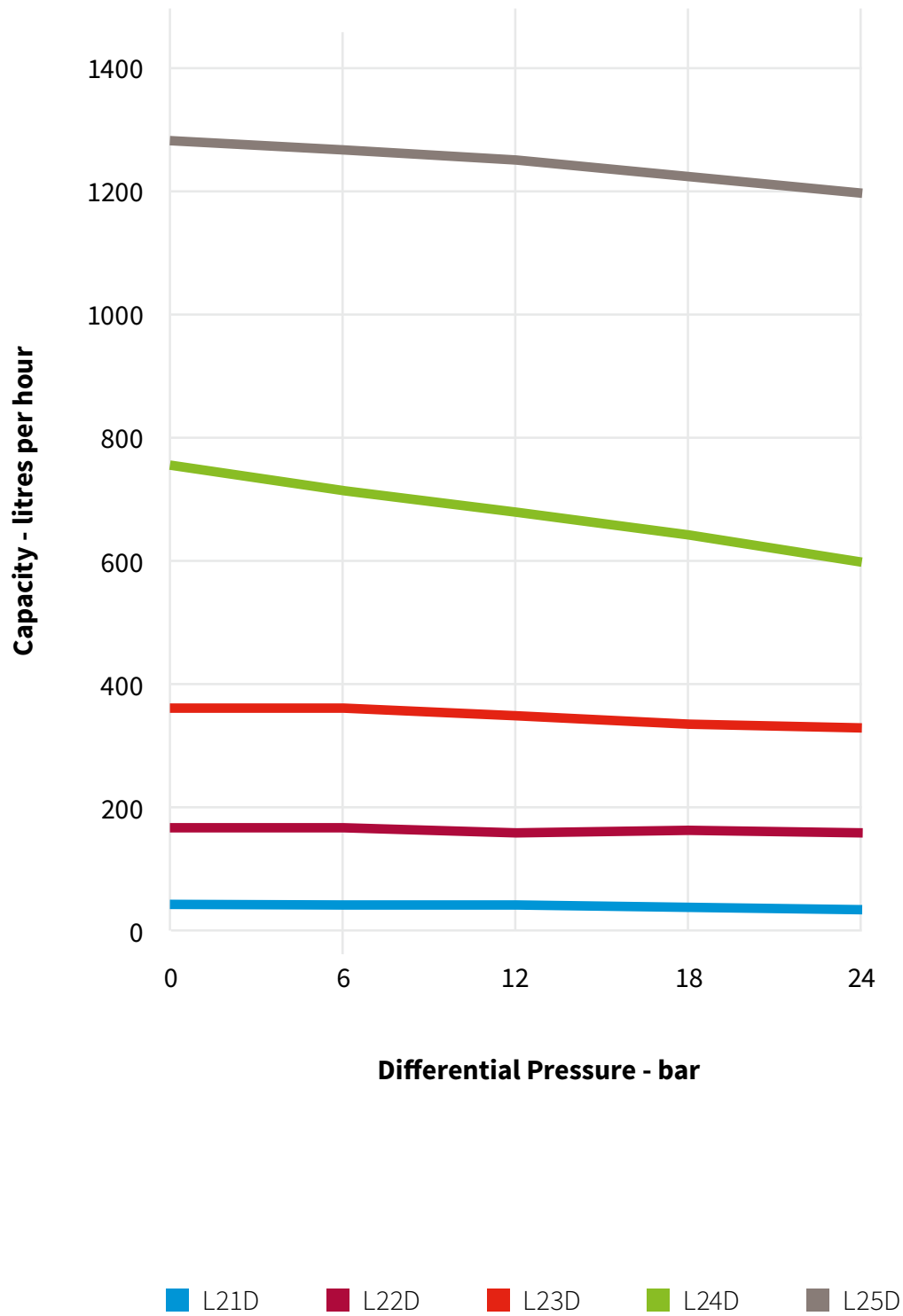
Sensor data can be fed into our digitization system allowing for remote monitoring and predictive maintenance reducing operations cost effectively, optimize process times and minimizing downtime.

Work smarter, not harder, with an optional equipment upgrade.

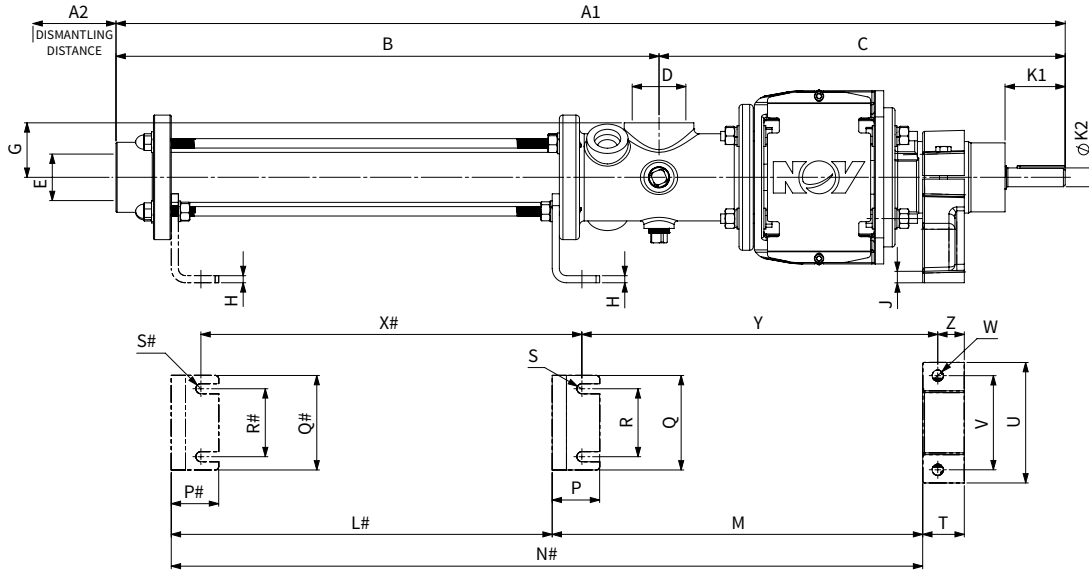
GoConnect™ real-time condition monitoring application Reduce maintenance costs, extend the life of your assets, and avoid unplanned downtime through monitoring vibration, bearing temperature, and motor current.

Application Engineering Support

Have a question about positive displacement process metering pumps? Would you like to discuss requirements for a specific application? Moyno/Mono technical personnel are available to answer questions and assist you in making the right selection. Contact Moyno/Mono today for experienced metering application engineering support.



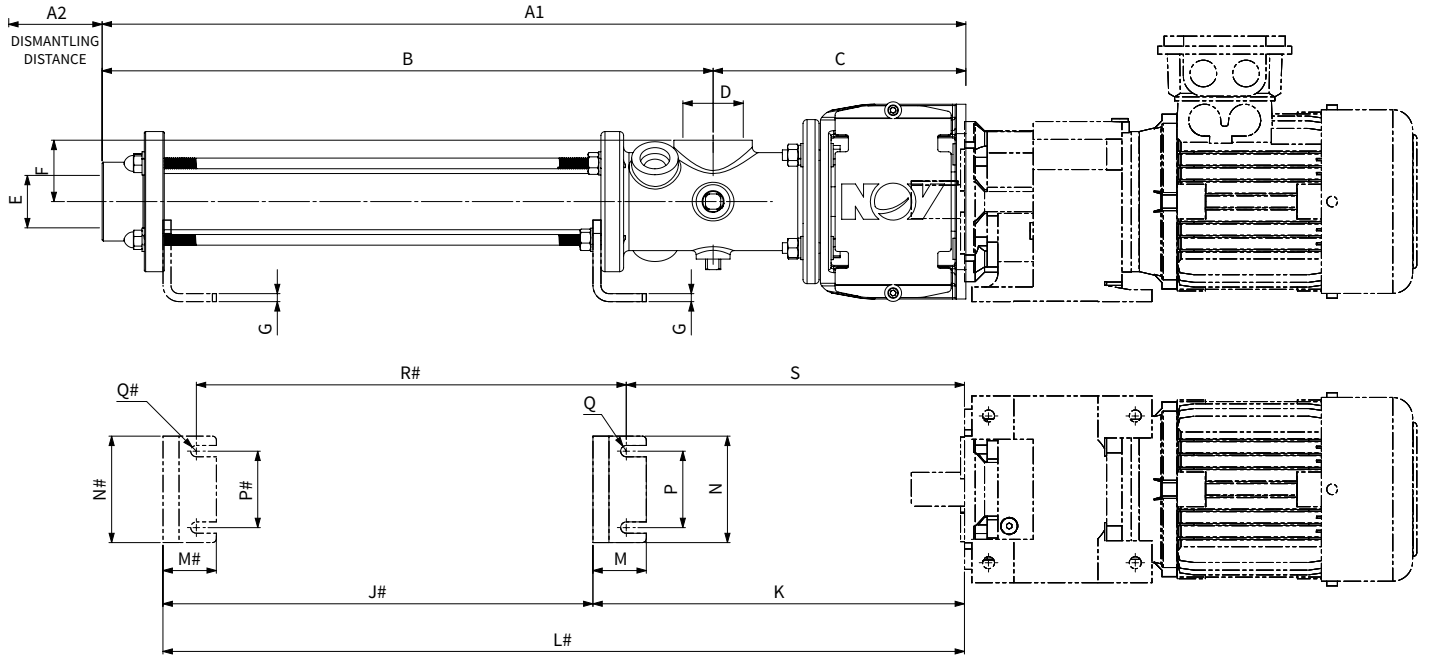
Dosing Bareshaft GA



	A1		A2		B		C		D		E		G		H		J		K1		K2		L		M	
Model	mm	in.	mm	in.	mm	in.	mm	in.	BSPP	NPT	BSPP	NPT	mm	in.	mm	in.	mm	in.	mm	in.	mm	in.	mm	in.	mm	in.
L21D	540.6	21.28	131.0	5.16	198.1	7.80	342.5	13.48	1.5"-11	1.5"-11.5	1.25"-11	1.25"-11.5	46.00	1.81	6	0.24	10	0.39	50.8	2	15.88	%	-	-	312.4	12.30
L22D	581.7	22.90	172.0	6.78	239.2	9.42	342.5	13.48	1.5"-11	1.5"-11.5	1.25"-11	1.25"-11.5	46.00	1.81	6	0.24	10	0.39	50.8	2	15.88	%	-	-	312.4	12.30
L23D	583.2	22.96	174.0	6.84	240.8	9.48	342.5	13.48	1.5"-11	1.5"-11.5	1.25"-11	1.25"-11.5	46.00	1.81	6	0.24	10	0.39	50.8	2	15.88	%	-	-	312.4	12.30
L24D	648.4	25.53	239.0	9.40	305.9	12.04	342.5	13.48	1.5"-11	1.5"-11.5	1.25"-11	1.25"-11.5	46.00	1.81	6	0.24	10	0.39	50.8	2	15.88	%	-	-	312.4	12.30
L25D	800.4	31.51	392.0	15.43	457.9	18.03	342.5	13.48	1.5"-11	1.5"-11.5	1.25"-11	1.25"-11.5	46.00	1.81	6	0.24	10	0.39	50.8	2	15.88	%	321.3	12.65	312.4	12.30

	N		P		Q		R		S		T		U		V		W		X		Y		Z	
Model	mm	in.	mm	in.	mm	in.	mm	in.	mm	in.	mm	in.	mm	in.	mm	in.	mm	in.	mm	in.	mm	in.	mm	in.
L21D	-	-	40	1.57	79.8	3.14	57.3	2.26	Ø 8.5	.33 for % ₁₆	35.1	1.38	101.6	4	79.2	3.12	Ø 9.5	% for % ₁₆	-	-	300.1	11.81	22.4	0.88
L22D	-	-	40	1.57	79.8	3.14	57.3	2.26	Ø 8.5	.33 for % ₁₆	35.1	1.38	101.6	4	79.2	3.12	Ø 9.5	% for % ₁₆	-	-	300.1	11.81	22.4	0.88
L23D	-	-	40	1.57	79.8	3.14	57.3	2.26	Ø 8.5	.33 for % ₁₆	35.1	1.38	101.6	4	79.2	3.12	Ø 9.5	% for % ₁₆	-	-	300.1	11.81	22.4	0.88
L24D	-	-	40	1.57	79.8	3.14	57.3	2.26	Ø 8.5	.33 for % ₁₆	35.1	1.38	101.6	4	79.2	3.12	Ø 9.5	% for % ₁₆	-	-	300.1	11.81	22.4	0.88
L25D	633.7	24.95	40	1.57	79.8	3.14	57.3	2.26	Ø 8.5	.33 for % ₁₆	35.1	1.38	101.6	4	79.2	3.12	Ø 9.5	% for % ₁₆	321.3	12.65	300.1	11.81	22.4	0.88

Dosing Close Coupled GA



	A1		A2		B		C		D		E		F		G		J	
Model	mm	in.	mm	in.	mm	in.	mm	in.	BSPP	NPT	BSPP	NPT	mm	in.	mm	in.	mm	in.
L21D	387.5	15.26	131.0	5.16	198.1	7.80	189.4	7.46	1.5"-11	1.5"-11.5	1.25"-11	1.25"-11.5	46.00	1.81	6.00	0.24	-	-
L22D	428.6	16.87	172.0	6.78	239.2	9.42	189.4	7.46	1.5"-11	1.5"-11.5	1.25"-11	1.25"-11.5	46.00	1.81	6.00	0.24	-	-
L23D	430.2	16.94	174.0	6.84	240.8	9.48	189.4	7.46	1.5"-11	1.5"-11.5	1.25"-11	1.25"-11.5	46.00	1.81	6.00	0.24	-	-
L24D	495.3	19.50	239.0	9.40	305.9	12.04	189.4	7.46	1.5"-11	1.5"-11.5	1.25"-11	1.25"-11.5	46.00	1.81	6.00	0.24	-	-
L25D	647.4	25.49	392.0	15.43	457.9	18.03	189.4	7.46	1.5"-11	1.5"-11.5	1.25"-11	1.25"-11.5	46.00	1.81	6.00	0.24	321.3	12.65

	K		L		M		N		P		Q		R		S	
Model	mm	in.	mm	in.	mm	in.	mm	in.	mm	in.	mm	in.	mm	in.	mm	in.
L21D	279.5	11.00	-	-	40	1.57	79.8	3.14	57.3	2.26	Ø 8.5	.33 for 1/8"	-	-	254.5	10.02
L22D	279.5	11.00	-	-	40	1.57	79.8	3.14	57.3	2.26	Ø 8.5	.33 for 1/8"	-	-	254.5	10.02
L23D	279.5	11.00	-	-	40	1.57	79.8	3.14	57.3	2.26	Ø 8.5	.33 for 1/8"	-	-	254.5	10.02
L24D	279.5	11.00	-	-	40	1.57	79.8	3.14	57.3	2.26	Ø 8.5	.33 for 1/8"	-	-	254.5	10.02
L25D	279.5	11.00	600.8	23.65	40	1.57	79.8	3.14	57.3	2.26	Ø 8.5	.33 for 1/8"	321.3	12.65	254.5	10.02

NOV Inc. has produced this brochure for general information only, and it is not intended for design purposes. Although every effort has been made to maintain the accuracy and reliability of its contents, NOV Inc. in no way assumes responsibility for liability for any loss, damage or injury resulting from the use of information and data herein. All applications for the material described are at the user's risk and are the user's responsibility.

© 2022 NOV Inc. All rights reserved.
JIRA 16539

Corporate Headquarters
7909 Parkwood Circle Drive
Houston, Texas 77036
USA

**Completion and Production
Solutions Headquarters**
10353 Richmond Avenue
Houston, Texas 77042
USA



industrial@nov.com

nov.com/industrial