

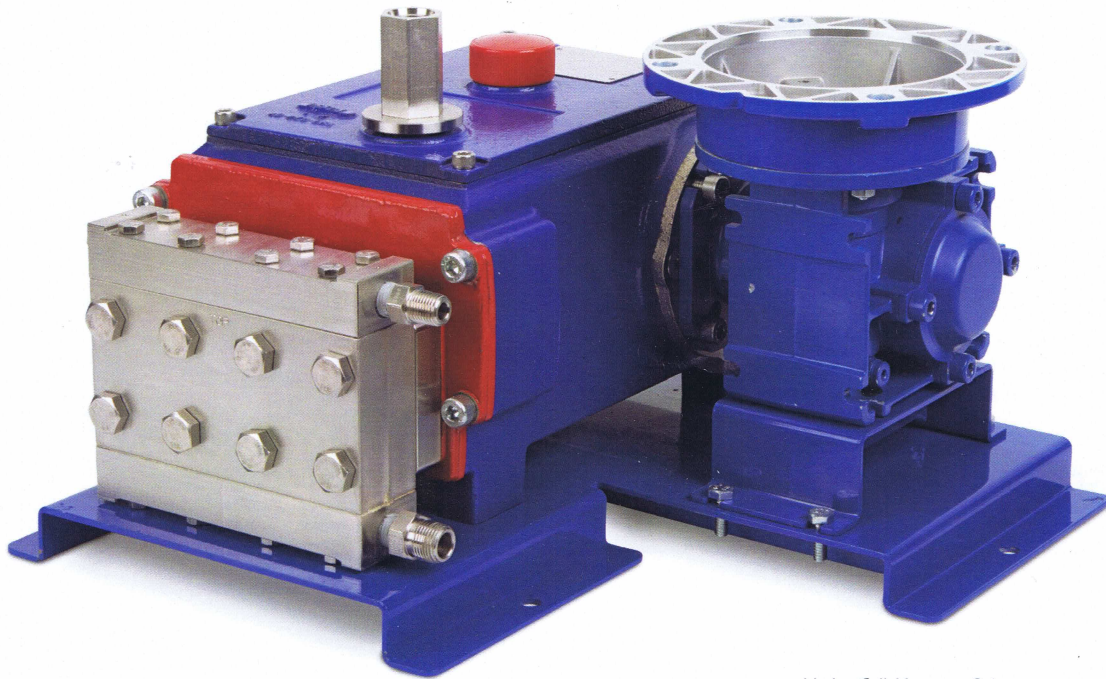
Hydra•Cell[®]

METERING SOLUTIONS™

MT8 Pump

Maximum Flow Rate: 8.00 gph (30.28 lph)

Maximum Pressure: 3500 psi (241 bar)



MT8 with Stainless Steel pump head

Hydra-Cell Metering Solutions pumps meet or exceed API 675 performance standards for Steady-State Accuracy ($\pm 1\%$), Linearity ($\pm 3\%$), and Repeatability ($\pm 3\%$).

Triplex Metering Pump with “Pulse-Free” Linear Flow

- Handles a wide range of fluids from clear water to thick slurries
- Electronic flow control increases accuracy and reliability
- Built-in pressure relief valve to protect the pump
- Rugged construction
- Smaller footprint saves valuable space
- Multiple-diaphragm design provides virtually pulse-free, linear flow without the need for expensive pulsation dampeners
- One pump covers a wide range of flows and pressures - reducing inventory requirements with fast, simple field conversion
- Duplexing option doubles capacity and equipment savings
- Hydraulically-actuated, balanced diaphragms provide superior performance across entire pressure range
- Seal-less design means no seals, cups, or packing to leak or replace
- A replenishment valve in every piston assembly ensures optimum actuating oil on every stroke for continuous accuracy
- Available with manual flow adjustment that can be used with ATEX hazardous-duty motors

Performance Maximum Flow at Designated Pressure (Contact factory for motor sizing.)

All Pumps (gph)				Pump rpm	Gear Ratio	Motor rpm
500 psi	1500 psi	2500 psi	3500 psi			
8.000*	8.000**	7.320	6.530	360	5:1	1800
6.156	5.556	5.064	4.464	240	7.5:1	
4.657	4.257	3.839	3.430	180	10:1	
2.312	2.105	1.924	1.727	90	20:1	
1.593	1.437	1.309	1.176	60	30:1	
1.177	1.089	0.985	0.888	45	40:1	
0.961	0.872	0.795	0.714	36	50:1	
0.776	0.703	0.635	0.567	30	60:1	
0.587	0.532	0.479	0.428	22.5	80:1	
0.473	0.429	0.387	0.349	18	100:1	

Notes:

* Pump rpm was 317 for this reading.

** Pump rpm was 352 for this reading.

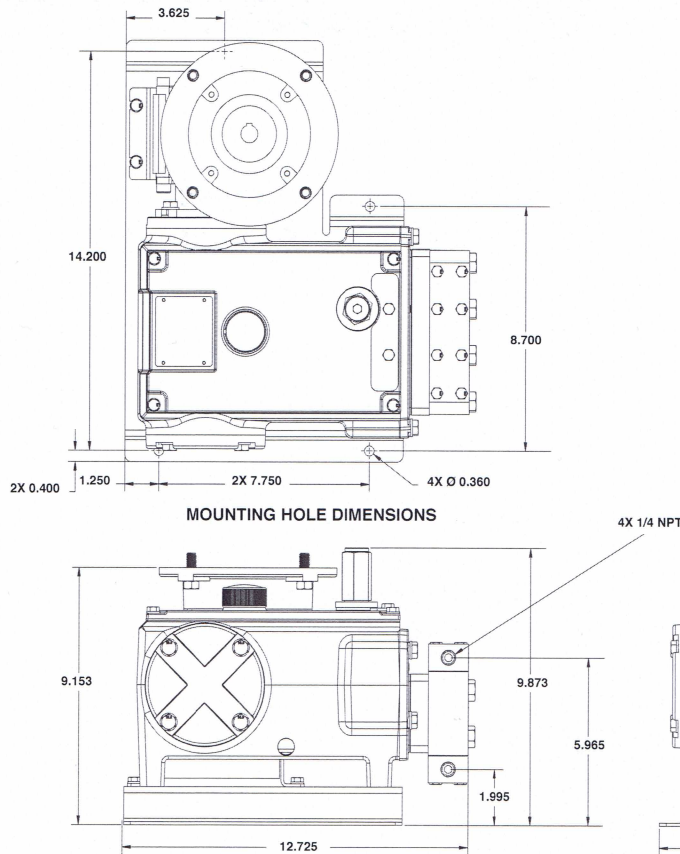
In order to achieve 8 gph at 3500 psi, motor rpm should be approximately 2360 with a 5:1 gearbox ratio.

Maximum rated flow of the pump is 8 gph. In order to not exceed that flow, the rpm needs to be reduced at indicated pressures.

Can achieve flow rates as low as 0.06 gph - contact factory for details

All flows are approximate. Customer must calibrate the system once the pump is installed to ensure proper flow.

Representative Drawings Inches



Metallic Pump Heads

Pump Data

Diaphragms per Liquid End	3
Flow Control	Electronic variable speed drive
Maximum Discharge Pressure	
Metallic Heads:	3500 psi (240 bar)
Maximum Inlet Pressure	250 psi (17 bar)
Maximum Operating Temperature	
Metallic Heads:	250 °F (121 °C)*
Inlet Port	1/4 inch NPT or BSPT
Discharge Port	1/4 inch NPT or BSPT
Weight (less motor)	
Metallic Heads:	82 lbs. (37 kg)

How to Order

A complete pump order number contains 16 digits based on the specified pump materials listed below.

1	2	3	4	5	6	7	8	9	10	11	12	13	14	15	16
M	T	0	8												

Pump Model Size (Digits 1-2)

MT Metering Triplex Pumps

Pump Capacity (Digits 3-4)

08 0.06 - 8.00 gph (0.227 - 30.28 lph)

Pump Version (Digit 5)

N NPT Ports

M BSPT Ports

Pump Head (Digits 6-7)

SN 316 SST - No leak detection

TN Hastelloy - No leak detection

AA Alloy20 - No leak detection

VN PVC - No leak detection

MN PVDF - No leak detection

SL 316 SST - Leak detection

TL Hastelloy - Leak detection

VL PVC - Leak detection

ML PVDF - Leak detection

Diaphragm (Digit 8)

J PTFE - No leak detection

L PTFE - Leak detection

Leak Detection Style (Digit 9)

G Gauge

O Optic NEMA 7

P Pressure switch NEMA 7

N No leak detection

CV Ball/Seat (Digits 10-11)

SS 316 SST / 316 SST

TT Hastelloy / Hastelloy

SC 316 SST / Ceramic

TC Hastelloy / Ceramic

AA Alloy20 / Alloy20

AC Alloy20 / Ceramic

Oil (Digit 12)

G 5W30 (Synthetic oil)

Motor Flange Size (Digit 13)

A NEMA 56C

B NEMA 143/145TC

C IEC 63 B5

D IEC 71 B5

E IEC 80 B5

Gearbox Ratio (Digits 14-15)

00 100:1

80 80:1

60 60:1

50 50:1

40 40:1

30 30:1

20 20:1

10 10:1

07 7.5:1

05 5:1

MA Manual adjust

MX Manual adjust ATEX

Baseplate (Digit 16)

C Carbon Steel (Epoxy painted)

S SST

M Carbon Steel (Epoxy painted) Manual Adjustment

T SST Manual Adjustment

Note: Options shown with gray background are in development; availability to be announced soon.

Accessories, Options & Services

Consult Wanner Engineering for complete details about available accessories and options as well as special services.

- Different Gearbox Ratios
- Oil Systems and Kits
- Actuating Oils
- Magnetic Drain
- Motors (Standard/Explosion-proof)
- Controllers
- Control Freak Touch-screen Metering Controller
- SmartDrive Motor-Controller
- Calibration Cylinders
- Back Pressure Valves
- Pressure Relief Valves
- Pulsation Dampeners
- Testing Services
- System Components, Priming Kits and Plugs
- Replacement Part Kits and Tool Kits
- Customization Services

Hydra·Cell[®]

METERING SOLUTIONS[™]

Wanner Engineering, Inc.

World Headquarters & Manufacturing

Wanner Engineering, Inc.
1204 Chestnut Avenue,
Minneapolis, MN 55403 USA
Phone: 612-332-5681 • Fax: 612-332-6937
Toll-Free Fax (USA): 800-332-6812
Email: sales@wannereng.com
www.Hydra-Cell.com

Regional Office

207 US Highway 281
Wichita Falls, TX 76310 USA
Phone: 940-322-7111
Toll-Free: 800-234-1384
Email: sales@wannereng.com
www.Hydra-Cell.com

Latin American Office

R. Álvaro Anes, 150 Bairro Campestre
Santo André/São Paulo, Brazil - CEP 09070-030
Phone: +55 (11) 4081-7098
Email: mmagoni@wannereng.com
www.Hydra-Cell.com

Wanner International Ltd.

Wanner International, Ltd.
Hampshire - United Kingdom
Phone: +44 (0) 1252 816847
Email: sales@wannerint.com
www.Hydra-Cell.eu

Wanner Pumps Ltd.

Wanner Pumps, Ltd.
Kowloon - Hong Kong
Phone: +852 3428 6534
Email: sales@wannerpumps.com
www.WannerPumps.com

Shanghai - China
Phone: +86-21-6876 3700
Email: sales@wannerpumps.com
www.WannerPumps.com